



# Installation Instructions

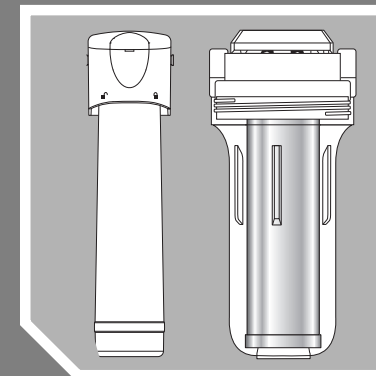
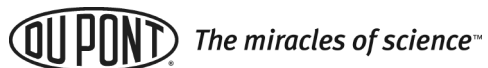
## Universal Complete Home Filtration Kit

- Universal Valve-in-Head Whole House Filtration Systems **Model Series WFPF3800** PAGE 2
- QuickTwist™ 1 Stage Drinking Water Filtration System **Model Series WFQT13000** PAGE 9

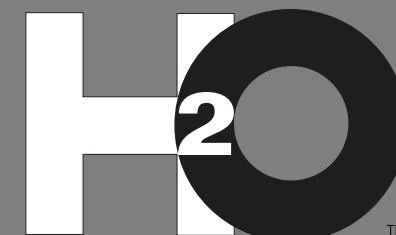
### Instrucciones de instalación

#### Juego universal de filtrado completo para la casa

- Sistema universal de filtrado para toda la casa con válvula en el cabezal **Serie del modelo WFPF3800** PÁGINA 21
- Sistema de filtrado de agua potable de 1 etapa QuickTwist™ **Serie del modelo WFQT13000** PÁGINA 28



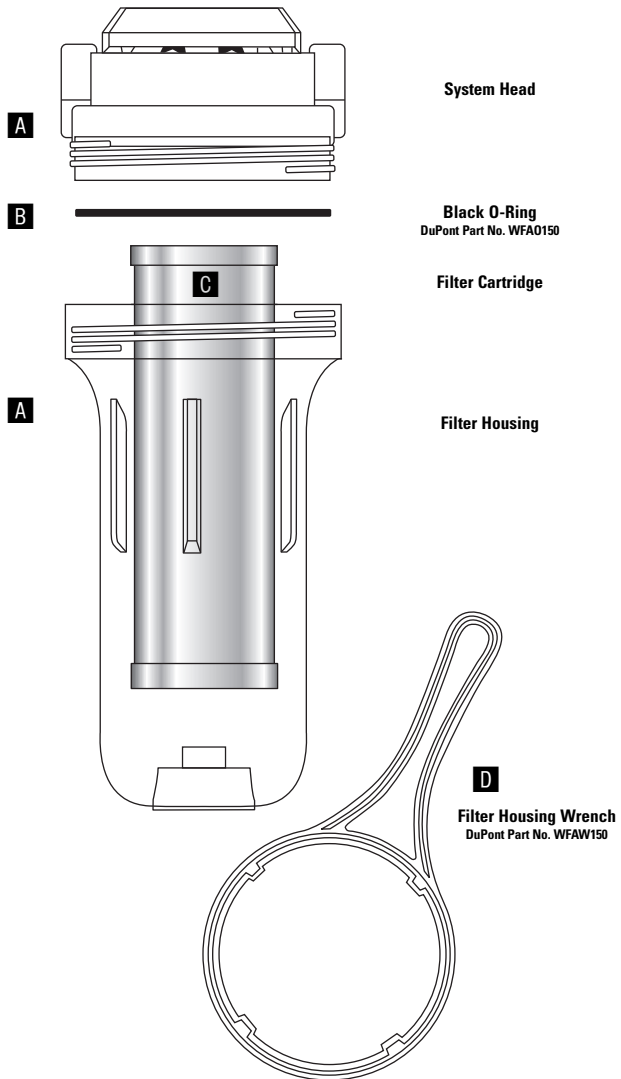
Water Filtration



**Model Series WFCH2**  
**Serie del modelo WFCH2**

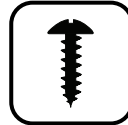


## Package Contents



# Installation Instructions

## Universal Valve-in-Head Whole House Filtration System



### Parts & Hardware Included

- A** Valve-in-Head Filter System  
(System Head with Filter Housing)
- B** Black O-Ring
- C** Filter Cartridge
- D** Filter Housing Wrench



### Tools & Materials Required

- Compression Fittings/Valves (not included)  
(See Step 2: Configure Your System)
- Two Adjustable Wrenches
- Pipe Wrench
- Pipe Cutter or Hacksaw
- Pan or Bucket
- File
- Pencil
- Plumber's Tape
- Silicone Grease

### Optional Materials

- Mounting Bracket, Bolts & Screws  
DuPont Part No. WFAB150
- Grounding Kit

## Information & Assistance



[www.waterfiltration.DuPont.com](http://www.waterfiltration.DuPont.com)



866-709-2086 Toll Free  
For Service Requests & Product Information  
Hours of Operation: 24 Hours/Day, 7 Days/Week



800-441-7515  
For Safety & Health Questions

Protect Plus, LLC ■ Hickory, NC 28601 USA

*For installations in Massachusetts, the Commonwealth of Massachusetts Plumbing Code CMR248 shall be adhered to.*

## Proper Installation

Please read all instructions, specifications, and precautions before installing and using your water filter system.

### CAUTION

This filter must be protected from freezing, which can cause cracking of the filter and water leakage.

### CAUTION

Because of the product's limited service life and to prevent costly repairs or possible water damage, we strongly recommend that the housing be replaced every ten years. If the head of the filter has been in use for longer than this period, it should be replaced immediately. Date the top of any new head to indicate the next recommended replacement date.

#### Precautions:

For cold water use only.

After prolonged periods of non-use (such as during a vacation), it is recommended that the system be flushed thoroughly. Let water run for 10 minutes before using.

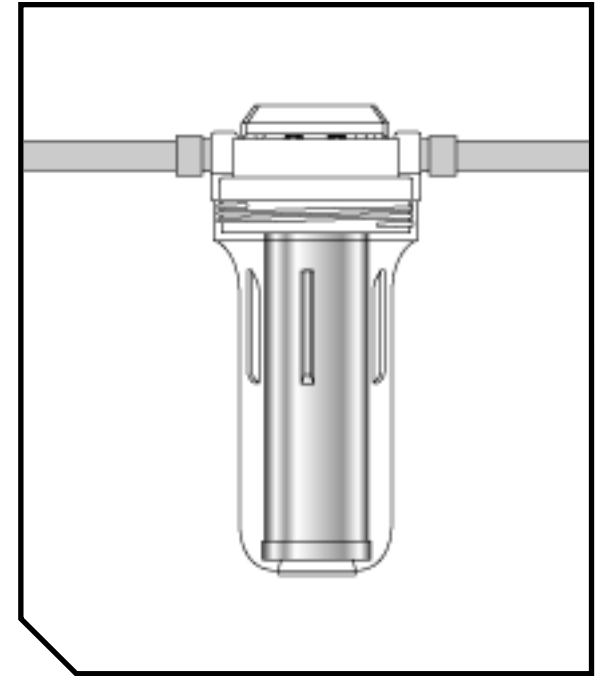
The filter cartridges used with this system have a limited service life. Changes in taste, odor, and/or flow of the water being filtered indicate that the cartridge should be replaced.

Do not install where system will be exposed to direct sunlight.

Your water filtration system will withstand up to 100 psi water pressure. If your house water supply pressure is higher than 100 psi, install a pressure reducing valve before the system is installed.

## Before You Begin

- Locate the main water supply line to your home and check to see what type of plumbing is in place (ex: plastic, copper, galvanized). The main water supply line is typically located in a basement, crawlspace or garage. Connect to cold water line only.
- Measure the diameter of the existing pipe to determine what size fittings and/or valves (not included) will be required.
- Choose a location in the main supply line to install the Filter System. Make sure to place the Filter System in an area after the water meter or pressure tank and before the water heater. Also select a location that will be easily accessible when changing filter cartridges.
- Consult your local plumbing codes and install accordingly.



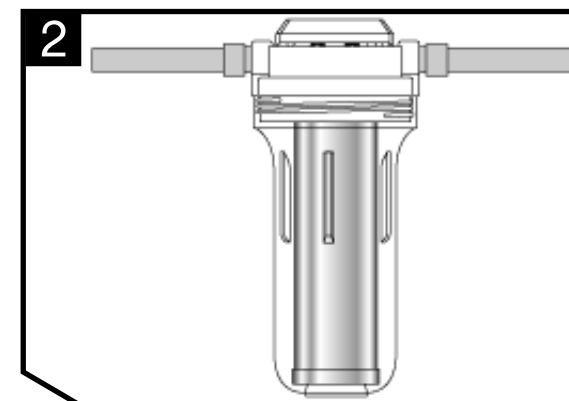
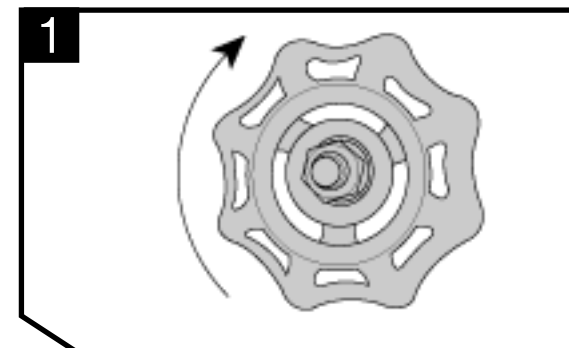
# STEP 1

## Turn Off the Main Water Supply Line

CAUTION

The Filter System must be installed after the water meter or pressure tank.

- 1 Turn off the main water supply line to your home.
- 2 Purge all water from the plumbing lines by turning on all faucets in your home and draining completely.



# STEP 2

## Configure Your System

See the System Configuration Chart below to determine how you will configure your filter system.

Materials Needed For 3/4" Diameter Housing Inlet/Outlet Ports

Type of plumbing in your house:		3/4" Copper Pipe	1" Copper Pipe	3/4" PVC Pipe	1" PVC Pipe	3/4" PEX	1" PEX
Quantity	Fitting Method	Solder according to local plumbing	No individual fitting - it will require more than just 1. Solder according to local plumbing codes	Use PVC Primer & PVC Pipe Cement per your local plumbing codes	Use PVC Primer & PVC Pipe Cement per your local plumbing codes	You may need to consult your local plumber - requires special tools	You may need to consult your local plumber - requires special tools
2	Std Male Adapter	3/4" Male Adapters	1" x 3/4" reducing coupling & 3/4" male adapter & 3/4" x 2" copper nipple	3/4" MPT x 3/4" tube male adapter PVC Slip Type	3/4" MPT x 1" tube male adapter PVC Slip Type	3/4" MPT x 3/4" CTS QC Adapter (WATTS Water PEX)	3/4" MPT x 1" CTS QC Adapter (WATTS Water PEX)
2	Compression	3/4" OD tube x 3/4" MIP Compressions Male Adapter	Compression not readily available for 1" copper pipe	n/a	n/a		
2	Union	3/4" Copper Union & 3/4" Male Adapter & 3/4" x 2" copper nipple	1" Copper Union & 1" x 3/4" reducing coupling & 3/4" male adapter & (2) 3/4" x 2" copper nipple	3/4" PVC Union & 3/4" MPT x 3/4" tube male adapter PVC Slip Type & 3/4" x 2" PVC nipple	1" PVC Union & 3/4" MPT x 1" tube male adapter PVC Slip Type & 1" x 2" PVC nipple		

**NOTE:** For galvanized piping, consult a professional plumber.

## STEP 3

### Assemble the System

- 1 Dry assemble the complete system (according to the configuration chosen), including all fittings and valves.  
**OPTIONAL: If using a mounting bracket (not included), position it on the Filter System Head in alignment with the inlet and outlet ports.**
- 2 Measure the overall length (see diagram) of the configured system.
- 3 Reduce this measurement enough to allow for the amount of engagement (X) to determine how much pipe to remove from the line.

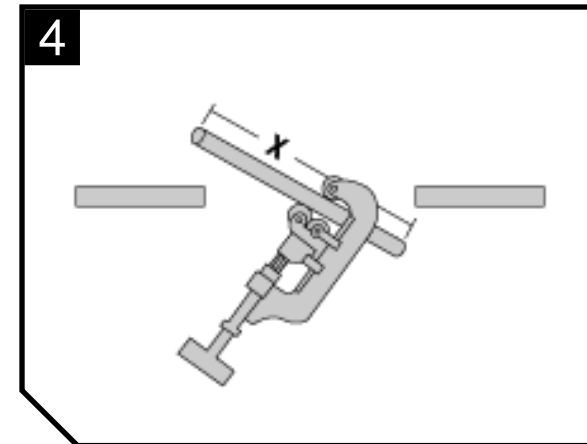
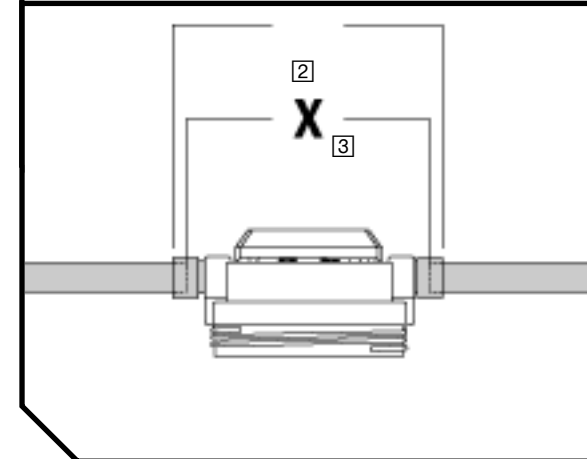
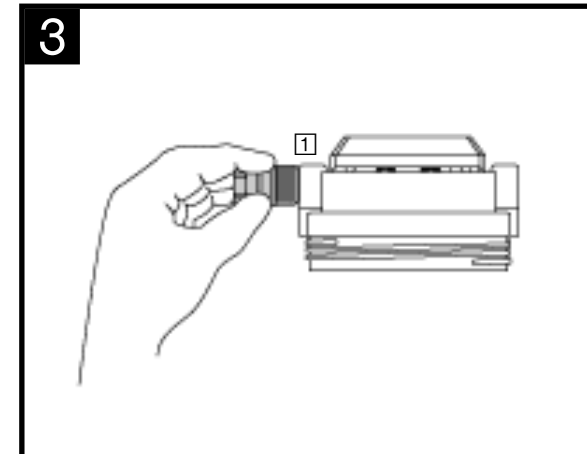
## STEP 4

### Mark Measurements and Cut the Plumbing Pipe

#### CAUTION

Please wear safety glasses to protect eyes when cutting.

- 1 Mark the section of the plumbing pipe that will need to be removed (X) to allow for the configured system (as determined in Step 3).  
**NOTE: Measure twice, cut once!**
- 2 Using a pipe cutter or hacksaw, cut the marked section from the plumbing pipe.  
**NOTE: Use a pan or bucket to catch any remaining water in the pipes.**
- 3 Remove any burrs or debris from the cut edges with a file.



# STEP 5

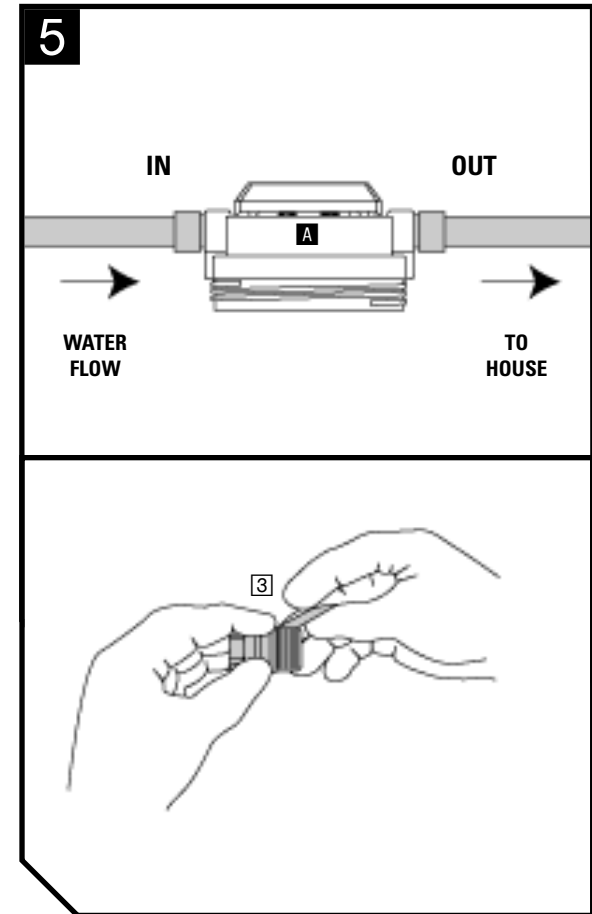
## Hang the Filter System Head

- 1 Align the System Head **A** on the pipes so that the inlet and outlet are in the correct locations. The "in" port on the Filter System should be facing the incoming water supply.
  - 2 Allow the System Head to temporarily hang between the two cut plumbing pipes.
  - 3 Apply plumber's tape or appropriate sealant to the fittings and lines, according to your system configuration.
  - 4 Make all connections and tighten fittings.
- NOTE: Keep the Filter System in an upright position.**

**CAUTION**

A grounding kit (not included) must be installed on water pipes if they are used to ground electrical systems, appliances or phones.

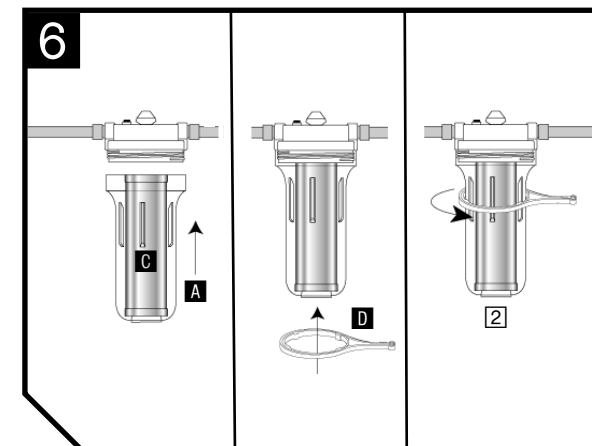
GROUNDING KIT (NOT INCLUDED)



# STEP 6

## Install the Filter Housing

- 1 Insert the Filter Cartridge **C** over standpipe in the bottom of the Filter Housing **A**.
  - 2 Screw the Filter Housing back onto the System Head and hand-tighten. Using the Filter Housing Wrench **D**, tighten 1/4 turn.
- NOTE: Do not over tighten.**



# STEP 7

## Test the Filter System for Proper Operation

- 1 Turn the valve lever on the System Head **A** to the off position by lining up the red indicator on the valve with "OFF" written on the System Head.
- 2 Turn on the water supply.
- 3 Slowly turn the valve on the System Head to the "FILTER" position by rotating it clockwise until it stops. The red indicator on the valve should line up with "FILTER" written on the system head.
- 4 Check for any leaks between the System Head and Filter Housing of the Filter System, and on the inlet and outlet connections. If there are leaks, see the troubleshooting tips below.
- 5 Turn on the nearest faucet and flush the Filter System for 40 minutes.

### ***If there are leaks between the head and housing of the Filter System:***

- Turn the valve lever on the System Head to the "OFF" or "bypass" position.
- Unscrew and remove the sump part from the head part using the Filter Housing Wrench **D**.

**NOTE: Use a pan or bucket to catch any water in the housing.**

- Remove the Black O-Ring **B** and inspect. Clean and lubricate with silicone grease.
- Clean the grooves in the top of the Filter Housing where the O-Ring sits.
- Place the clean, lubricated O-Ring back in the groove.
- Screw the Filter Housing back onto the System Head and hand-tighten. Using the Filter Housing Wrench, tighten 1/4 turn.

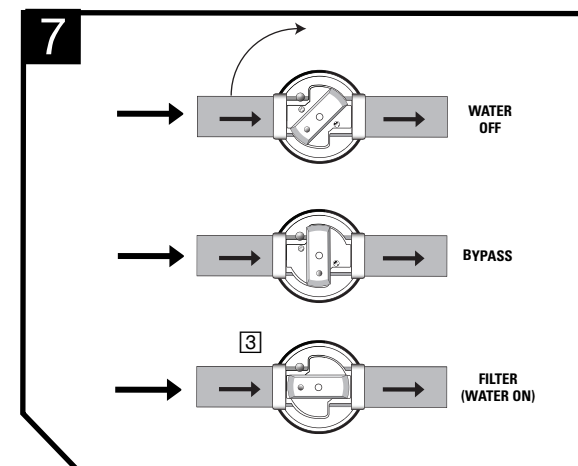
**NOTE: Do not over tighten.**

- Turn the valve lever on the System Head to the "ON" position and inspect for leaks.

### ***If there are leaks on the inlet and/or outlet connections:***

- Turn off the main water supply to your home.
- Purge all water from the plumbing lines by turning on all faucets in your home and draining completely.
- Tighten all fittings.
- Turn on the main water supply and turn the valve lever on the System Head to the "ON" position and inspect for leaks.
- If leaks continue, disassemble the configured system, reapply plumber's tape or sealant, and reinstall the Filter System.

- If leaks continue, turn off the water supply and call Customer Service or consult your local plumber.





# Filter Cartridge Replacement

## STEP 1

- 1 Turn the valve on the System Head **A** to the "OFF" or "BYPASS" position.  
**NOTE: "Off" will shut off all water flow in the home. "Bypass" will allow unfiltered water to Flow in the home.**
- 2 Use the Filter Housing Wrench **D** to unscrew the Filter Housing.  
**NOTE: Use a pan or bucket to catch any water in the Filter Housing.**
- 3 Pour out the water in the Filter Housing and remove the used Filter Cartridge **B**.

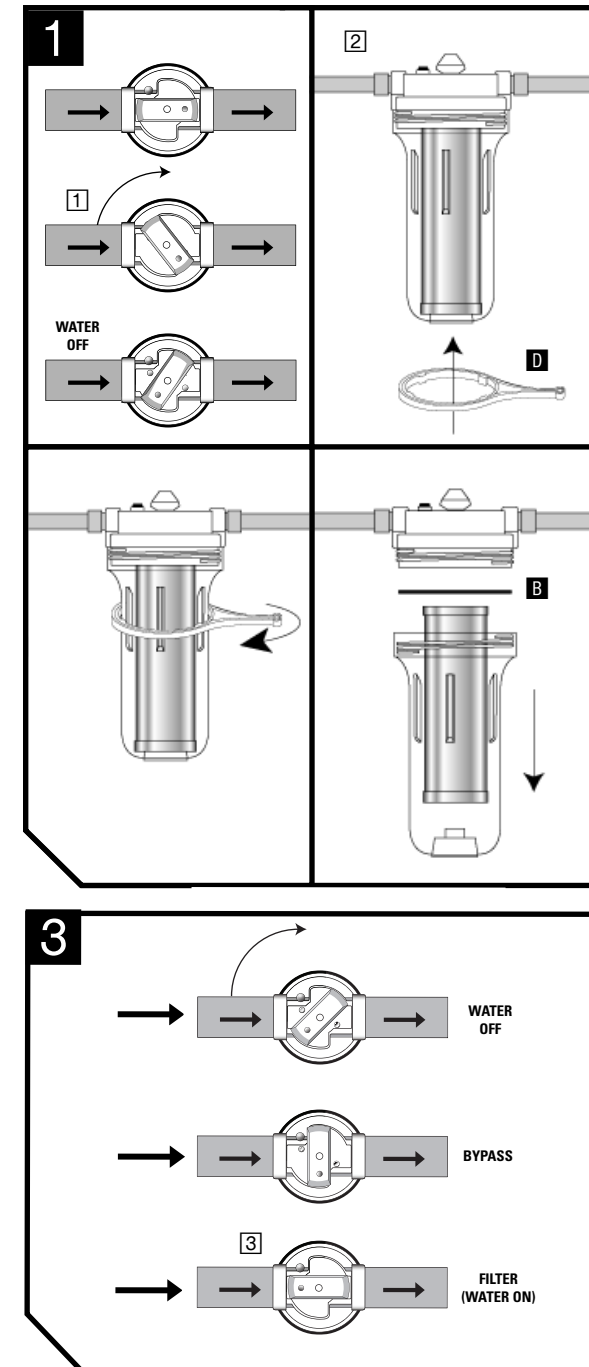
## STEP 2

**NOTE: Have a pan or bucket handy to rinse out the Filter Housing.**

- 1 Rinse out the bottom of the Filter Housing.
- 2 Add enough water to fill the Filter Housing 1/3 full. Add approximately 2 tablespoons of bleach and clean the System Head and bottom of the Filter Housing with a clean cloth. After cleaning, rinse the Filter Housing thoroughly to remove bleach.
- 3 Remove the O-Ring **B** in the top of the Filter Housing and wipe clean.
- 4 Use silicone grease to lubricate the O-Ring.
- 5 Place the O-Ring back in the groove of the Filter Housing.  
**NOTE: Make sure that the O-Ring is seated properly in the groove to ensure a good seal.**

## STEP 3

- 1 Insert the new filter cartridge over the standpipe in the bottom of the Filter Housing.
- 2 Screw the Filter Housing back onto the System Head and hand-tighten. Using the Filter Housing Wrench, tighten 1/4 turn.  
**NOTE: Do not over tighten.**
- 3 Slowly turn the valve on the System Head to the "FILTER" position to allow the Filter Housing to fill with water.
- 4 Check for any leaks before proceeding.
- 5 Turn on the nearest faucet and flush the Filter System for 40 minutes.





## Replacement Cartridges

### DuPont™ Universal Valve-in-Head Whole House Filtration Systems WFPF3800 and WFPF2800 Series

Usage and quality of water in your incoming water line affect the life of filter cartridges and determine when the cartridge should be changed. Cartridges should be replaced sooner if water pressure at the faucet begins to drop noticeably or if the filter fails to perform satisfactorily.

System	Cartridge Model Numbers
Universal Valve-in-Head Whole House Filtration System WFPF2800 Series	WFPFC3002, WFPFC4002, WFPFC5002, WFPFC8002, WFPFC9002
Universal Valve-in-Head Whole House Filtration System WFPF3800 Series	WFPFC3002, WFPFC4002, WFPFC5002, WFPFC8002, WFPFC9002

## CAUTION

- These filters are not water purifiers. Do not use with water that is microbiologically unsafe or of unknown quality without adequate disinfection before or after the system. Systems certified for Cyst reduction may be used on disinfected waters that may contain filterable Cysts.
- This unit is not designed to filter sulfur (rotten egg odor). Use of carbon filters to treat sulfur may intensify taste/odor problems.
- Please comply with all state and local regulations regarding the installation of water treatment devices.
- The contaminants or other substances reduced by the water filter device are not necessarily in your water.

## Replacement Parts

### DuPont™ Universal Valve-in-Head Whole House Filtration Systems WFPF3800 and WFPF2800 Series

Part Number	Description
WFAB150	Mounting Bracket
WFAO150	O-Ring
WFAW150	Filter Housing Wrench

#### Ordering Information:



[www.waterfiltration.DuPont.com](http://www.waterfiltration.DuPont.com)

Protect Plus, LLC ■ Hickory, NC 28601 USA



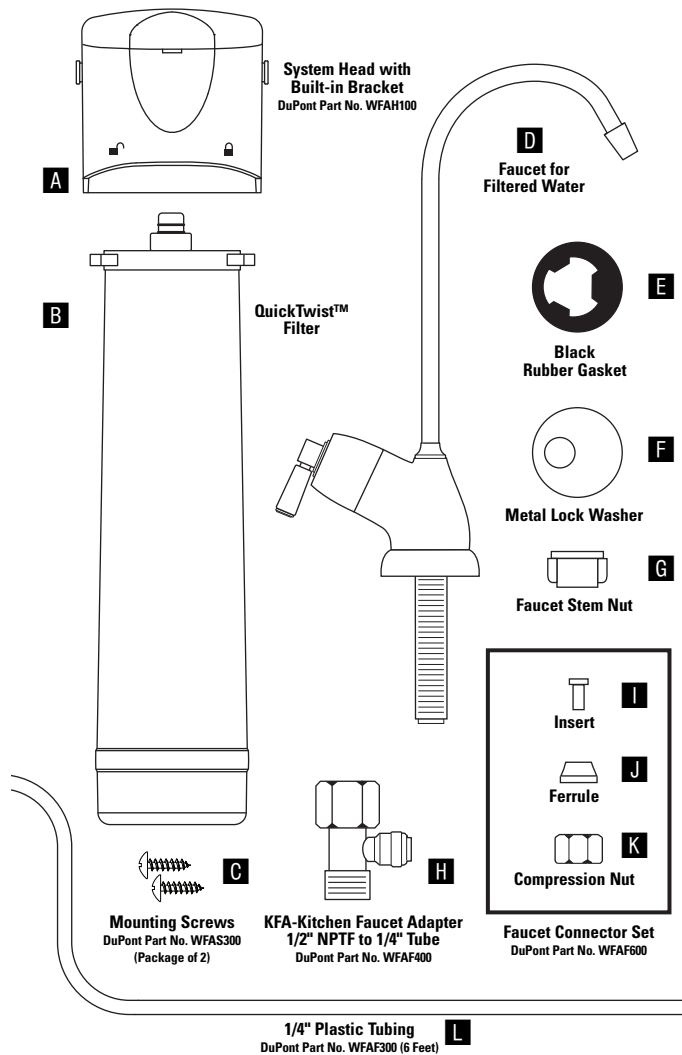
**866-709-2086** Gratis  
For Service Requests & Product Information  
Hours of Operation: 24 Hours/Day, 7 Days/Week

## Operation/Maintenance Data

These units are intended for non-commercial use. They should be used only in ambient air temperature of between 35 degrees F / 2 degrees C and 100 degrees F / 38 degrees C. Placement of these units in direct sunlight or use of electrical heating equipment on these units must be avoided. Replace filter cartridge when and as directed in the installation/ operation instructions included with each cartridge. Replacement filter cartridges are available at retail outlets.

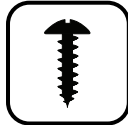


## Package Contents



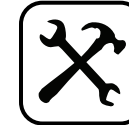
# Installation Instructions

## QuickTwist™ 1 Stage Drinking Water Filtration System



### Parts & Hardware Included

- A** Filter System Head with Built-in Bracket
- B** QuickTwist™ Filter
- C** Mounting Screws
- D** Faucet for Filtered Water
- E** Black Rubber Gasket
- F** Metal Lock Washer
- G** Faucet Stem Nut
- H** Kitchen Faucet Adapter
- I** Insert
- J** Ferrule
- K** Compression Nut
- L** 1/4" Plastic Tubing



### Tools & Materials Required

- Phillips Screwdriver
- 1/8" Drill Bit
- Center Punch
- Adjustable Wrench
- Utility Knife
- File
- Tape Measure
- Safety Glasses
- Masking Tape
- Newspaper or Towels
- Pencil
- Pan or Bucket
- Compression Cap (Optional-For Kitchen Faucet Spray Hose Connector)

### Optional Materials

- Drill with 1/4" & 9/16" or 5/8" Drill Bits
- Hollow-Wall Anchor Bolts or Toggle Bolts
- Hacksaw
- Plumber's Tape

### Information & Assistance



[www.waterfiltration.DuPont.com](http://www.waterfiltration.DuPont.com)



866-709-2086 Toll Free  
For Service Requests & Product Information  
Hours of Operation: 24 Hours/Day, 7 Days/Week



800-441-7515  
For Safety & Health Questions

Protect Plus, LLC ■ Hickory, NC 28601 USA

*For installations in Massachusetts, the Commonwealth of Massachusetts Plumbing Code CMR248 shall be adhered to.*



## Proper Installation

Please read all instructions, specifications, and precautions before installing and using your water filter system.

### CAUTION

This filter must be protected from freezing, which can cause cracking of the filter and water leakage.

### CAUTION

Because of the product's limited service life and to prevent costly repairs or possible water damage, we strongly recommend that the head of the filter be replaced every ten years. If the head of the filter has been in use for longer than this period, it should be replaced immediately. Date the top of any new head to indicate the next recommended replacement date.

#### Precautions:

For cold water use only.

After prolonged periods of non-use (such as during a vacation), it is recommended that the Filter System be flushed thoroughly. Let water run for 10 minutes before using.

The QuickTwist™ Filter used with this Filter System has a limited service life. Changes in taste, odor, and/or flow of the water being filtered indicate that the filter should be replaced.

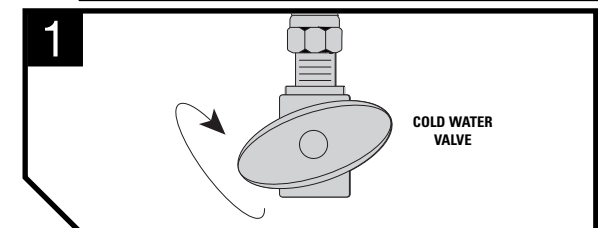
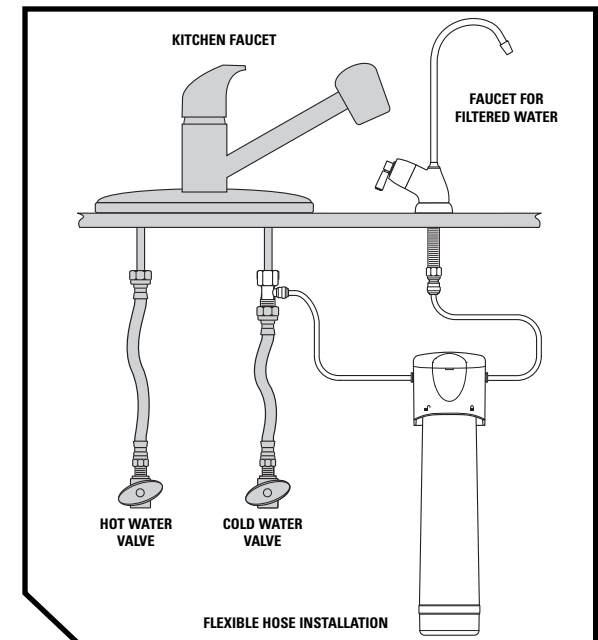
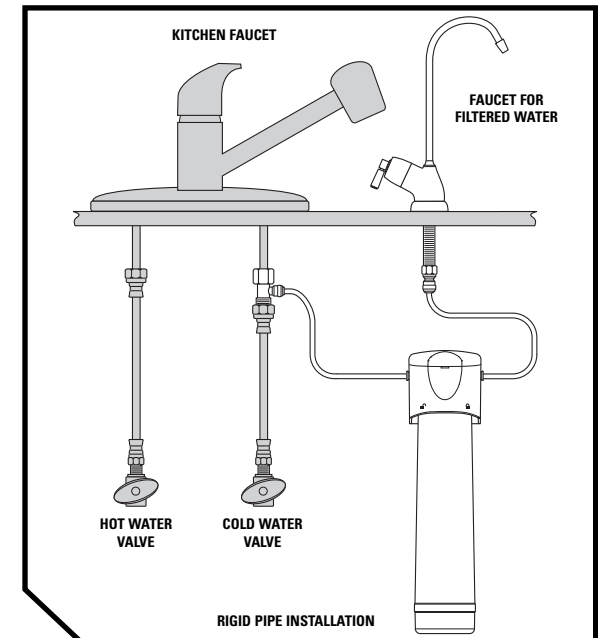
## Before You Begin

- Check under the sink to locate a solid wall surface to mount the Filter System.  
**NOTE: The Filter System must be mounted in a vertical position.**
- Locate the cold water pipe under your sink and observe if it is a flexible hose or a rigid pipe (ex: plastic, metal, copper). Rigid pipes may require cutting in order to make adequate space to install the Kitchen Faucet Adapter (see Step 2). Also determine if you have all appropriate fasteners and adapters to fit your plumbing.
- Consult your local plumbing codes and install accordingly.
- If you plan to install your QuickTwist™ WFDW13000 Series direct to your kitchen faucet please skip to page 16.

## STEP 1

### Turn Off the Main Water Supply Line

- 1 Locate the cold water shut-off valve under the sink. Turn off the cold water supply to the existing kitchen sink.  
**NOTE: If uncertain about which line supplies the cold water, turn on the hot water to the faucet. Allow the water to heat up and carefully feel the pipes under the sink. The pipe that remains cool to the touch is the cold water supply.**
- 2 Turn on the cold water faucet on the kitchen sink to release pressure and allow water to completely drain from the line.



## STEP 2 Mount the Faucet for Filtered Water

**NOTE:** The Faucet for Filtered Water in this package is designed to fit a 9/16" hole. Most standard sinks come with 1-3/8" or 1-1/2" diameter water sprayer holes that can be used for mounting the Faucet. If the pre-drilled holes cannot be used or are not in the desired position, a new hole must be drilled using either a 9/16" or 5/8" drill bit to accommodate the Faucet. The Faucet for Filtered Water base should be positioned securely on a flat surface with adequate space for proper function. Consider convenience and appearance of the faucet before installation.

IF YOUR SINK DOES NOT HAVE A WATER SPRAYER HOLE, GO TO 1. IF YOUR SINK DOES HAVE A WATER SPRAYER HOLE, GO TO 4.

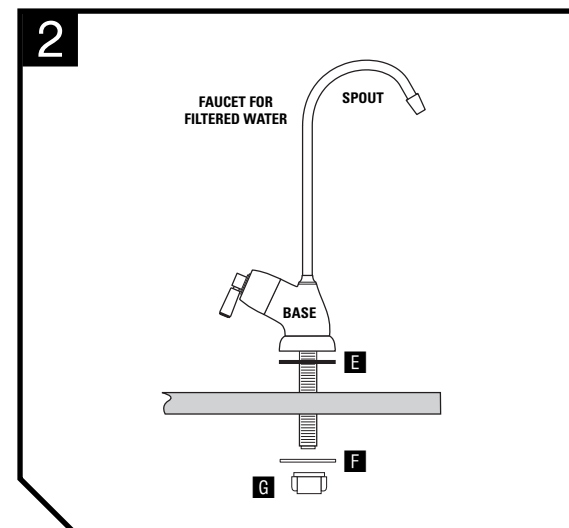
- 1 In order to prevent parts and materials from falling down the drain, line the sink with newspaper or a towel.
- 2 Apply masking tape to the area to be drilled in order to prevent scratching the sink surface or countertop if the drill bit slips during operation.
- 3 Using a center punch, mark the drill hole. Use the 1/4" drill bit to make a pilot hole. Then use the 9/16" or 5/8" drill bit to drill the final hole. Drill completely through the sink or countertop and smooth the rough edges with a file.

### CAUTION

Safety glasses and a respirator are recommended for this process, as it may produce dust that can cause severe irritation if it is inhaled or comes in contact with eyes.

### CAUTION

DO NOT DRILL THROUGH AN ALL-PORCELAIN OR CAST IRON SINK. If installing on an all-porcelain or cast iron sink, the faucet must be mounted in a pre-drilled sprayer hole or through the countertop next to the sink. If the countertop must be drilled, make certain that the area below the drilling location is free of wiring and pipes. Also, make sure that there is sufficient room to make the proper connections to the bottom of the faucet mount. DO NOT DRILL THROUGH COUNTERTOPS MORE THAN 1" IN THICKNESS OR COUNTERTOPS MADE OF TILE, MARBLE, GRANITE OR SIMILAR SUBSTANCE. Consult with a plumber or the countertop manufacturer for assistance.



**NOTE:** Make sure that the Faucet for Filtered Water is assembled. The Faucet for Filtered Water Spout should be inserted into the Faucet for Filtered Water Body and the retaining nut should be tightened until snug.

- 4 Guide the Black Rubber Gasket **E** onto the threaded Faucet for Filtered Water Stem. Slip the threaded Faucet Stem into the sink or countertop hole. Make sure the Faucet for Filtered Water sits flat on top of the sink or countertop surface.
- 5 From underneath the sink, slide the Metal Lock Washer **F** up the Faucet for Filtered Water Stem. Then screw the plastic Faucet Stem Nut **G** all the way up the Faucet Stem until it is flush with the Metal Lock Washer. Screw until it is slightly snug and check to make sure the faucet spout is in the proper position. Using fingers, tighten the nut to secure the Faucet for Filtered Water to the sink.

**NOTE:** Do not tighten the Faucet for Filtered Water Stem Nut with pliers as it may strip the Faucet Stem threads.

# STEP 3

## Install the Kitchen Faucet Adapter

**NOTE:** The Kitchen Faucet Adapter is designed to fit 1/2" NPTF supply threads.

- 1 Locate the cold water shut-off valve under the sink. Turn off the cold water supply to the sink.  
**NOTE: If uncertain about which line supplies the cold water, turn on the hot water to the faucet. Allow the water to heat up and carefully feel the pipes under the sink. The pipe that remains cool to the touch is the cold water supply.**
- 2 Turn on the kitchen faucet to release pressure and allow water to completely drain from the line.
- 3 Disconnect the cold water line from the 1/2" threaded stem on the bottom of the kitchen faucet.  
**NOTE: If rigid plumbing pipe (metal or plastic) is used, you may need to shorten the pipe using a hacksaw to accommodate the Kitchen Faucet Adapter.**
- 4 Holding the Kitchen Faucet Adapter **H** in an upright position (see diagram), screw onto the threaded faucet stem.
- 5 Screw the cold water supply line to the male threads of the Kitchen Faucet Adapter using the nut that was connecting the cold water line to the kitchen faucet previously. For a secure fit, tighten the nut using an adjustable wrench.
- 6 If you have replaced your sprayer with the Faucet for Filtered Water be sure to cap off the sprayer outlet from the kitchen faucet. Most faucets will require a compression cap to seal and prevent leaks.



### ! WARNING

Be sure that all electrical appliances and outlets are turned off at the circuit breaker before working in cabinet area.



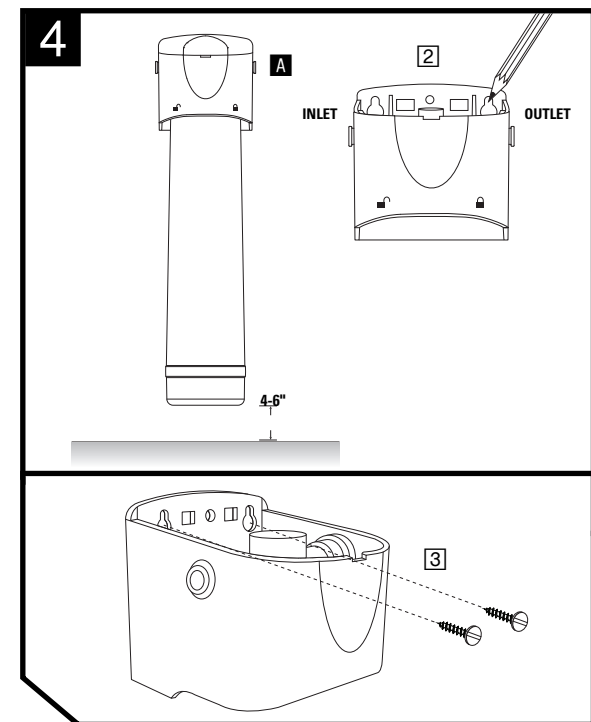
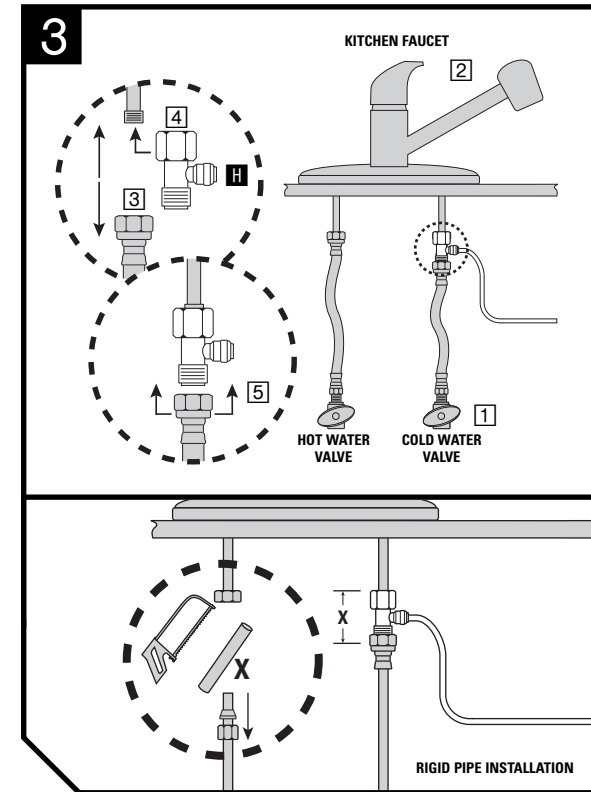
### ! CAUTION

Please wear safety glasses to protect eyes when drilling.

# STEP 4

## Mount the System Head

- 1 Choose an easy-to-access area under the sink to mount the Filter System.  
**NOTE: To allow adequate space for filter changes, allow a minimum clearance of 4-6" below the QuickTwist™ Filter. The Filter System must be mounted in a vertical position.**  
**NOTE: Mount the Filter System to a solid cabinet wall or wall. If a solid surface is not available, use hollow-wall anchor bolts or toggle bolts (not included) to secure to the wall.**
- 2 Remove the cap from the top of the System Head **A**. Using the Built-in Bracket on the back of the System Head or the template provided on the back of this booklet, mark the holes for the Mounting Screws **C** on the wall surface.
- 3 Using a 1/8" drill bit, drill two pilot holes for the Mounting Screws. Insert Mounting Screws into the wall with a Phillips screwdriver, leaving approximately 3/8" of each Mounting Screw exposed.
- 4 Hang the System Head on the eyes of the bracket and replace the System Head cap.

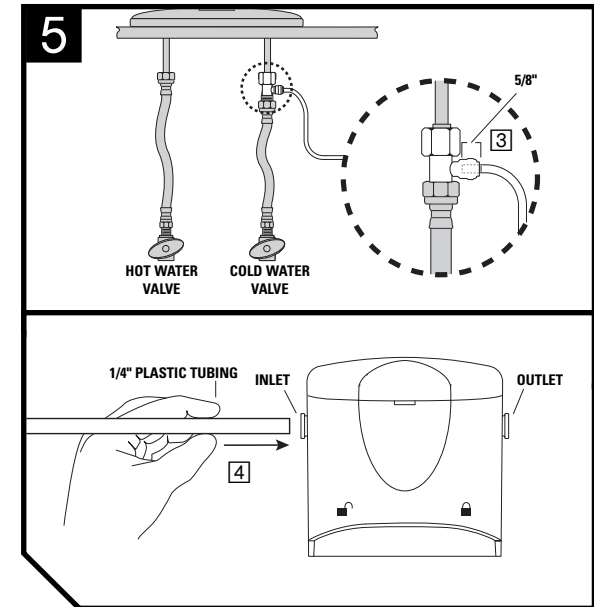




## STEP 5

### Install 1/4" Plastic Tubing for Water Supply Line from Kitchen Faucet Adapter to System Head Inlet

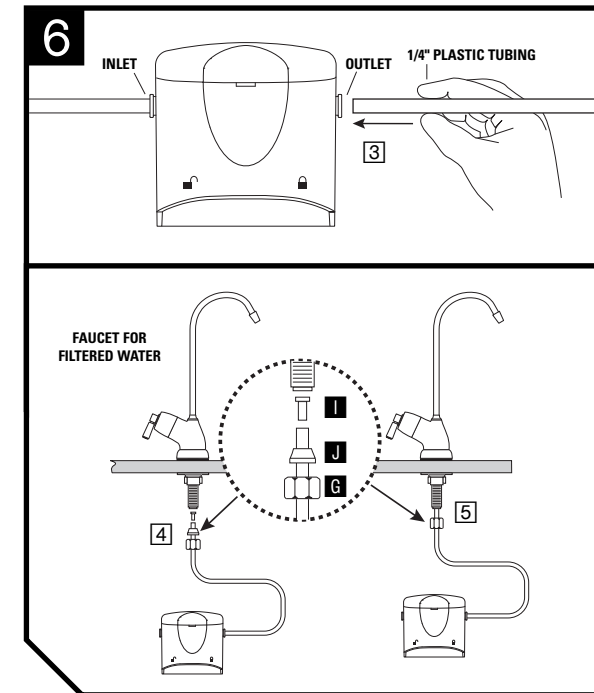
- 1 Determine the length of 1/4" Plastic Tubing **I** that will be necessary to connect the System Head Inlet to the Kitchen Faucet Adapter **H**. Make sure to allow enough Plastic Tubing to prevent kinking in the line.
- 2 Cut the 1/4" Plastic Tubing squarely on both ends.
- 3 Wet one end of the 1/4" Plastic Tubing with water and push it into the Kitchen Faucet Adapter approximately 5/8" until it stops.  
**NOTE: Do not bend or crimp 1/4" Plastic Tubing when inserting.**
- 4 Wet the other end of the 1/4" Plastic Tubing with water and push it into the System Head Inlet approximately 5/8" until it stops.  
**NOTE: The 1/4" Plastic Tubing does not need to be disconnected for general routine maintenance and filter replacement. However, Plastic Tubing may be easily disconnected if necessary. Simply turn off the water supply to the Filter System and press in the grey collar around the fitting while pulling the Plastic Tubing out with the other hand.**



## STEP 6

### Install 1/4" Plastic Tubing for Water Supply Line from System Head Outlet to Faucet

- 1 Determine the length of 1/4" Plastic Tubing **I** that will be necessary to connect the System Head Outlet to the threaded Faucet Stem. Make sure to allow enough Plastic Tubing to prevent kinking in the line.
- 2 Cut the 1/4" Plastic Tubing squarely on both ends.
- 3 Wet one end of the 1/4" Plastic Tubing with water and push it into the System Head Outlet until it stops.
- 4 Gently slide the plastic Compression Nut down **G** (thread side up) over the tubing. Follow with the plastic Ferrule **J**, making sure that the Ferrule is in the proper position with the larger opening on the bottom (going into the nut). Place the plastic Insert **I** into the end of the 1/4" Plastic Tubing.
- 5 Firmly push the 1/4" Plastic Tubing into the end of the threaded Faucet Stem. Hand-tighten the plastic Compression Nut onto the threads. Tighten with an adjustable wrench approximately 1/2 turn.  
**NOTE: Do not bend or crimp 1/4" Plastic Tubing when inserting. Do not over tighten the Compression Nut.**

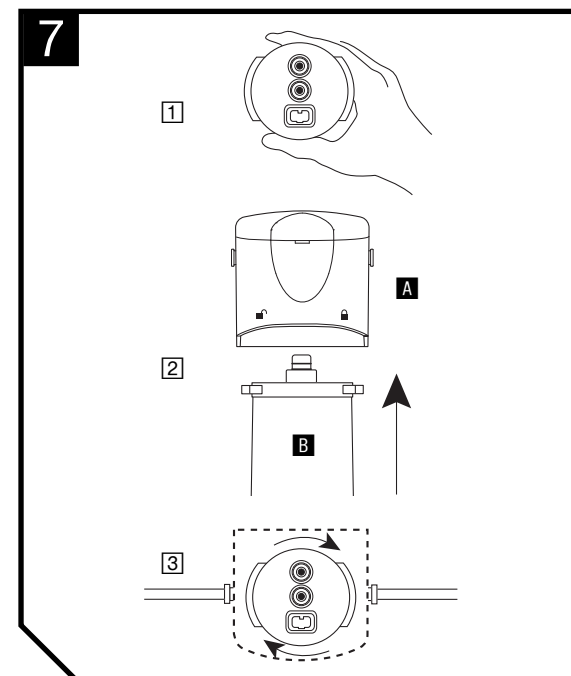




## STEP 7

### Install the QuickTwist™ Filter

- 1 Hold the QuickTwist™ Filter **B** with the label facing to the left slightly. The two nozzles on top of the QuickTwist™ Filter should be toward the back of the QuickTwist™ Filter. If holding properly, the two extended flanges on top of the QuickTwist™ Filter should be out to each side. See Figure 6 **1** at right.
- 2 Lift the QuickTwist™ Filter straight up into the System Head **A** until the two nozzles seat into the ports and the two extended flanges on top of the QuickTwist™ Filter are fully engaged into the System Head.
- 3 Turn the QuickTwist™ Filter counter-clockwise until it stops.



## STEP 8

### Test the Filter System for Proper Operation

- 1 Turn on the cold water shut-off valve under the sink.
- 2 Turn on the new Faucet for Filtered Water **D**. In order for the Filter System to flush out any air and carbon fines (fine black powder) from the QuickTwist™ Filter, allow the water to run for approximately 10 minutes.
- 3 Check for any leaks between the System Head assembly and Filter; around all fittings; on Kitchen Faucet Adapter **H** connection; and on faucet/tubing connection.

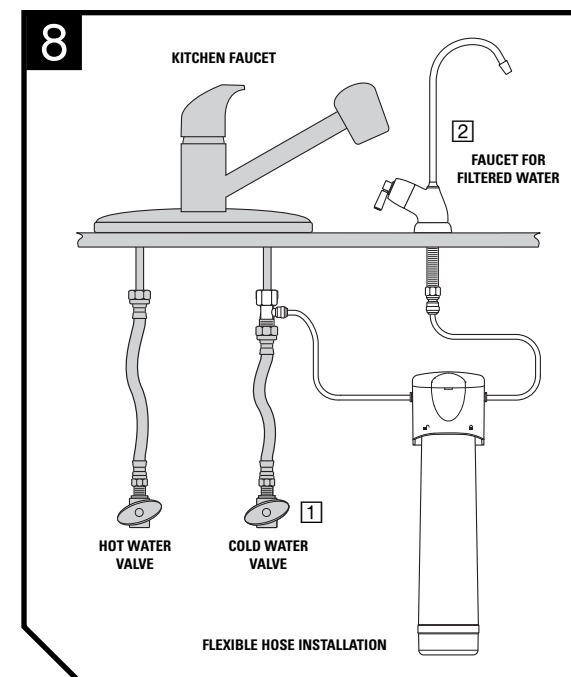
#### ***If there are leaks between the System Head assembly and the QuickTwist™ Filter:***

- Turn off the cold water shut-off valve to the Filter System and turn on the Faucet for Filtered Water to drain the water and release pressure.
- Remove the QuickTwist™ Filter and inspect the O-Rings around the nozzles on top of it. Make sure they are in place and free from dirt and particles.
- Turn off the Faucet for Filtered Water.
- Replace the QuickTwist™ Filter by lifting it straight up into the System Head until the two nozzles seat into the ports and the two extended flanges on top of the QuickTwist™ Filter are fully engaged into the System Head. Turn the QuickTwist™ Filter counter-clockwise until it stops.
- Turn the cold water supply valve back on and turn on the Faucet for Filtered Water.

#### ***If there are leaks around the fittings:***

- Turn off the cold water shut-off valve to the Filter System to release pressure in the System.
- While pulling the 1/4" Plastic Tubing **I** with one hand, press in on the grey collar around the inlet and/or outlet fitting. Check to make sure that the 1/4" Plastic Tubing is cut squarely and that it is not scratched. If the 1/4" Plastic Tubing is unevenly cut or scratched, cut off 1/2" to 5/8" and re-install the Plastic Tubing (see Step 5 of Installation Instructions).
- Turn the cold water shut-off valve back on and turn on the Faucet for Filtered Water.

*continued to next page*





# STEP 8

## Test the Filter System for Proper Operation (continued)

### *If there are leaks on the Kitchen Faucet Adapter connection:*

- Turn off the cold water shut-off valve to the Filter System to release pressure in the System.
- Locate the Kitchen Faucet Adapter.
  - If the 1/4" Plastic Tubing is leaking, follow the previous steps ("If there are leaks around the fittings").
  - If the thread between the Kitchen Faucet Adapter and the kitchen faucet stem is leaking, tighten more securely. If leaking continues, disconnect the 1/4" Plastic Tubing and remove the Kitchen Faucet Adapter. Wrap the Kitchen Faucet Adapter and the threaded faucet stem with plumber's tape and re-install (see Step 2 of Installation Instructions).
  - If the thread between the Kitchen Faucet Adapter and the cold water supply line is leaking, tighten more securely. If leaking continues, disconnect the 1/4" Plastic Tubing and remove the Kitchen Faucet Adapter. Wrap the Kitchen Faucet Adapter and the cold water supply line with plumber's tape and re-install (see Step 2 of Installation Instructions).
- Turn the cold water shut-off valve back on and turn on the Faucet for Filtered Water.

### *If there are leaks on the Faucet for Filtered Water/1/4" Plastic Tubing connection:*

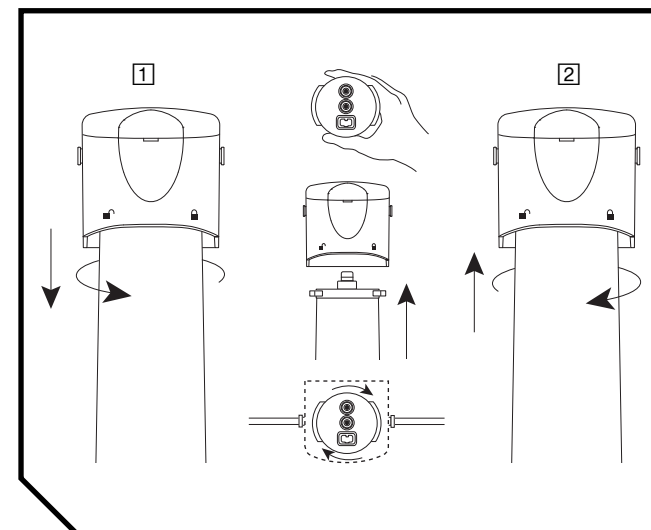
- Turn off the cold water shut-off valve to the Filter System to release pressure in the System.
- Loosen and remove the Compression Nut **K** on the Faucet for Filtered Water Stem. Check the 1/4" Plastic Tubing to see if it is cut squarely. Make sure the 1/4" Plastic Tubing is placed firmly into the end of the Faucet Stem; retighten the Compression Nut securely by hand; then tighten 1/2 turn with an adjustable wrench. If leaking continues, remove the Compression Nut and apply plumber's tape to the Faucet for Filtered Water Stem and re-install the Compression Nut.
- Turn the cold water shut-off valve back on and turn on the Faucet for Filtered Water.

- If leaks continue, turn off the water supply and call Customer Service or your local plumber.
- For Filter Replacement Instructions please see below

## QuickTwist™ Filter Replacement

- 1 Turn off the cold water shut-off valve to the Filter System **A**.
- 2 Turn the QuickTwist™ Filter **B** clockwise until it releases. Gently pull down on the used QuickTwist™ Filter to remove it from the System Head. Discard the used QuickTwist™ Filter.
 

**NOTE: Place a pan or bucket under the Filter System to catch any water drips.**
- 3 Hold the new QuickTwist™ Filter with the label facing to the left slightly. The two nozzles on top of the QuickTwist™ Filter should be toward the back of the QuickTwist™ Filter. If holding properly, the two extended flanges on top of the QuickTwist™ Filter should be out to each side.
- 4 Lift the QuickTwist™ Filter straight up into the System Head until the two nozzles seat into the ports and the two extended flanges on top of the QuickTwist™ Filter are fully engaged into the System Head.
- 5 Turn the QuickTwist™ Filter counter-clockwise until it stops.
- 6 Turn on the cold water shut-off valve and the Faucet for Filtered Water **D** and check for any leaks. If there are leaks, refer to the troubleshooting information in Step 7 of the Installation Instructions.
- 7 Flush water through the Faucet for Filtered Water for approximately 10 minutes to flush out any air and carbon fines (fine black powder) from the QuickTwist™ Filter. Check for leaks once more before completion.





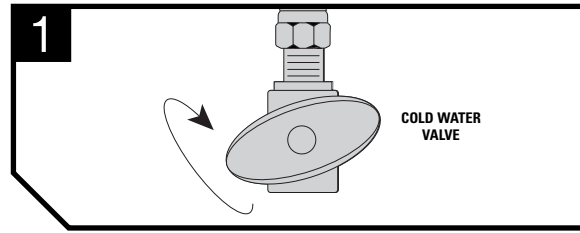


## Optional Installment Method: Direct connect to Kitchen Faucet

**NOTE:** Undersink filters reduce water flow. If you wish to maintain unfiltered water flow for dishwashing, etc., we recommend installing separate Faucet for Filtered Water (DuPont WFFT100 Series).

### STEP 1 -Optional Direct Connect Turn Off the Main Water Supply Line

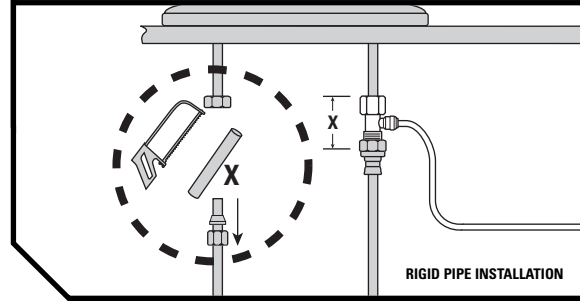
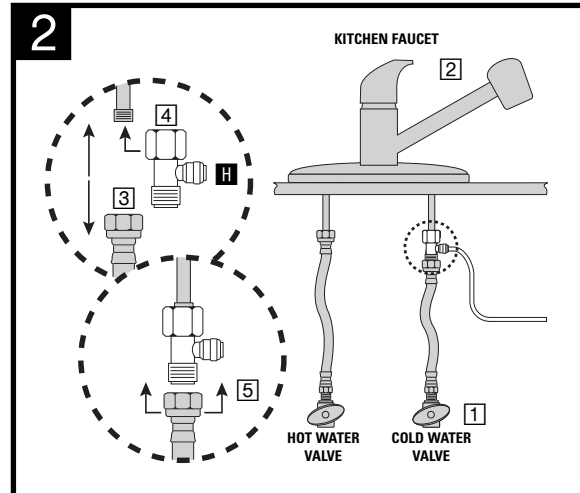
- 1 Locate the cold water shut-off valve under the sink. Turn off the cold water supply to the existing kitchen sink.  
**NOTE:** If uncertain about which line supplies the cold water, turn on the hot water to the faucet. Allow the water to heat up and carefully feel the pipes under the sink. The pipe that remains cool to the touch is the cold water supply.
- 2 Turn on the cold water faucet on the kitchen sink to release pressure and allow water to completely drain from the line.



### STEP 2 -Optional Direct Connect Install the Kitchen Faucet Adapter

**NOTE:** The Kitchen Faucet Adapter is designed to fit 1/2" NPTF supply threads.

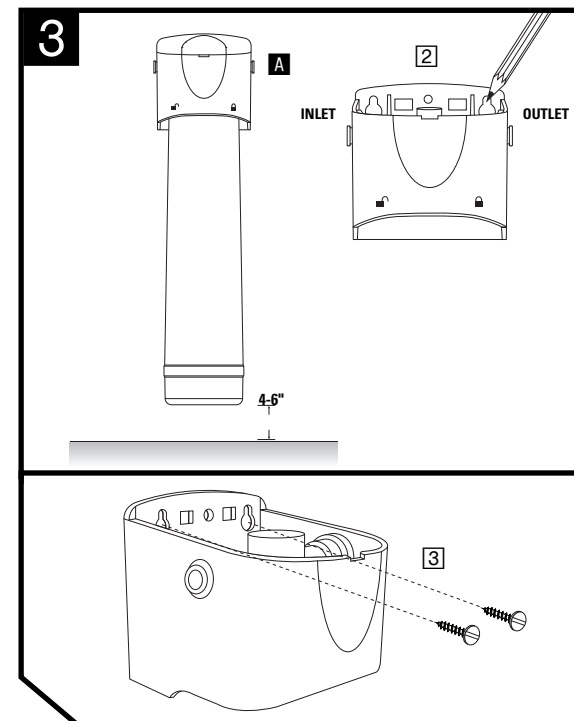
- 1 Locate the cold water shut-off valve under the sink. Turn off the cold water supply to the sink.  
**NOTE:** If uncertain about which line supplies the cold water, turn on the hot water to the faucet. Allow the water to heat up and carefully feel the pipes under the sink. The pipe that remains cool to the touch is the cold water supply.
- 2 Turn on the kitchen faucet to release pressure and allow water to completely drain from the line.
- 3 Disconnect the cold water line from the 1/2" threaded stem on the bottom of the kitchen faucet.  
**NOTE:** If rigid plumbing pipe (metal or plastic) is used, you may need to shorten the pipe using a hacksaw to accommodate the Kitchen Faucet Adapter.
- 4 Holding the Kitchen Faucet Adapter **H** in an upright position (see diagram), screw onto the threaded faucet stem.
- 5 Screw the cold water supply line to the male threads of the Kitchen Faucet Adapter using the nut that was connecting the cold water line to the kitchen faucet previously. For a secure fit, tighten the nut using an adjustable wrench.
- 6 If you have replaced your sprayer with the Faucet for Filtered Water be sure to cap off the sprayer outlet from the faucet. Most kitchen faucets will require a compression cap to seal to prevent leaks.





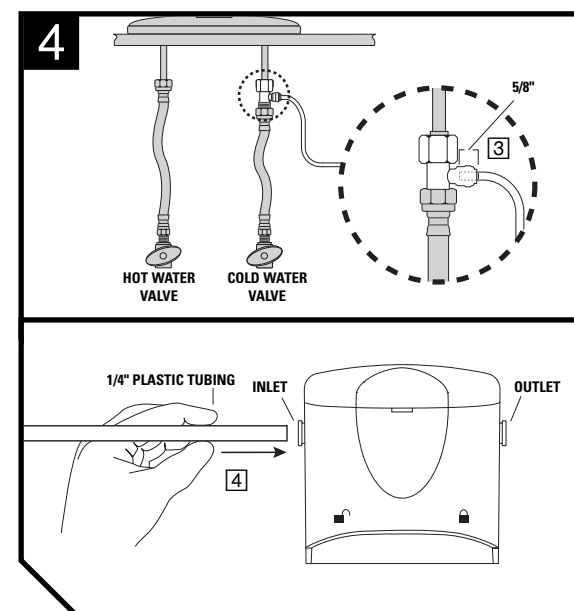
## STEP 3 -Optional Direct Connect Mount the System Head

- 1 Choose an easy-to-access area under the sink to mount the Filter System.  
**NOTE: To allow adequate space for filter changes, allow a minimum clearance of 4-6" below the QuickTwist™ Filter. The Filter System must be mounted in a vertical position.**  
**NOTE: Mount the Filter System to a solid cabinet wall or wall. If a solid surface is not available, use hollow-wall anchor bolts or toggle bolts (not included) to secure to the wall.**
- 2 Remove the cap from the top of the System Head **A**. Using the Built-in Bracket on the back of the System Head or the template provided on the back of this booklet, mark the holes for the Mounting Screws **C** on the wall surface.
- 3 Using a 1/8" drill bit, drill two pilot holes for the Mounting Screws. Insert Mounting Screws into the wall with a Phillips screwdriver, leaving approximately 3/8" of each Mounting Screw exposed.
- 4 Hang the System Head on the eyes of the bracket and replace the System Head cap.



## STEP 4 -Optional Direct Connect Install 1/4" Plastic Tubing for Water Supply Line from Kitchen Faucet Adapter to System Head Inlet

- 1 Determine the length of 1/4" Plastic Tubing **B** that will be necessary to connect the System Head Inlet to the Kitchen Faucet Adapter **A**. Make sure to allow enough Plastic Tubing to prevent kinking in the line.
- 2 Cut the 1/4" Plastic Tubing squarely on both ends.
- 3 Wet one end of the 1/4" Plastic Tubing with water and push it into the Kitchen Faucet Adapter approximately 5/8" until it stops.  
**NOTE: Do not bend or crimp 1/4" Plastic Tubing when inserting.**
- 4 Wet the other end of the 1/4" Plastic Tubing with water and push it into the System Head Inlet approximately 5/8" until it stops.  
**NOTE: The 1/4" Plastic Tubing does not need to be disconnected for general routine maintenance and filter replacement. However, Plastic Tubing may be easily disconnected if necessary. Simply turn off the water supply to the Filter System and press in the grey collar around the fitting while pulling the Plastic Tubing out with the other hand.**



## STEP 5 - Optional Direct Connect

### Install 1/4" Plastic Tubing for Water Supply Line from System Head Outlet to Faucet

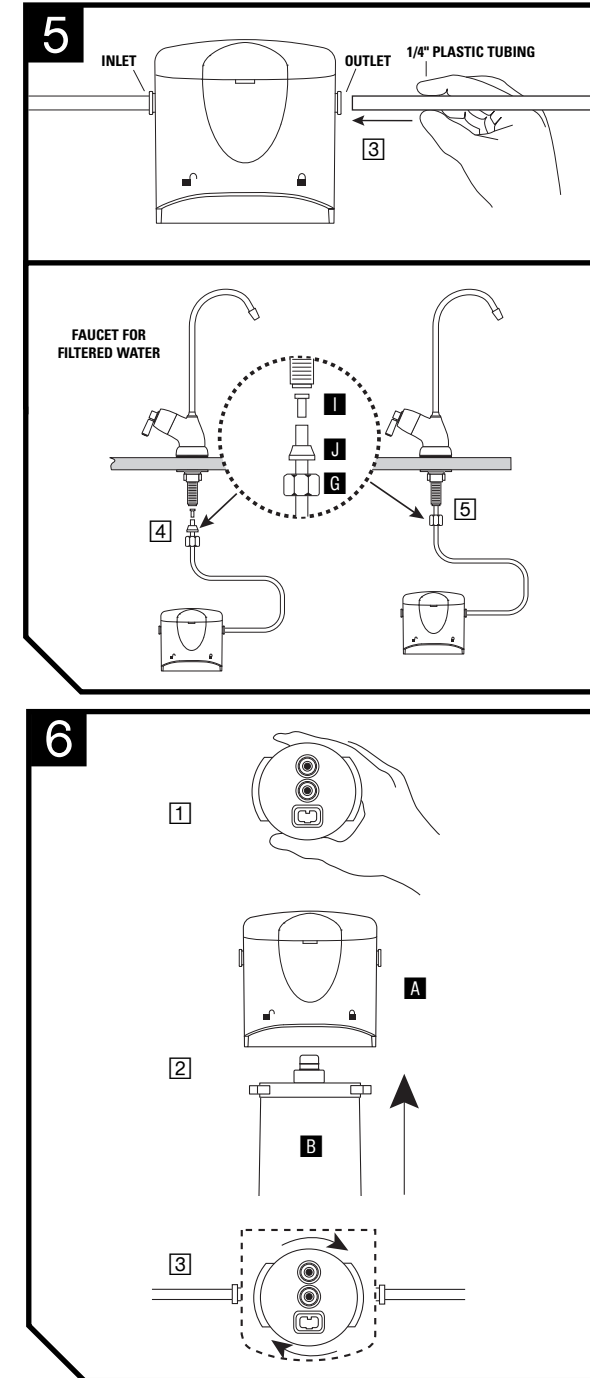
- 1 Determine the length of 1/4" Plastic Tubing **L** that will be necessary to connect the System Head Outlet to the threaded Faucet Stem. Make sure to allow enough Plastic Tubing to prevent kinking in the line.
- 2 Cut the 1/4" Plastic Tubing squarely on both ends.
- 3 Wet one end of the 1/4" Plastic Tubing with water and push it into the System Head Outlet until it stops.
- 4 Gently slide the plastic Compression Nut down **G** (thread side up) over the tubing. Follow with the plastic Ferrule **J**, making sure that the Ferrule is in the proper position with the larger opening on the bottom (going into the nut). Place the plastic Insert **I** into the end of the 1/4" Plastic Tubing.
- 5 Firmly push the 1/4" Plastic Tubing into the end of the threaded Faucet Stem. Hand-tighten the plastic Compression Nut onto the threads. Tighten with an adjustable wrench approximately 1/2 turn.

**NOTE: Do not bend or crimp 1/4" Plastic Tubing when inserting. Do not over tighten the Compression Nut.**

## STEP 6 - Optional Direct Connect

### Install the QuickTwist™ Filter

- 1 Hold the QuickTwist™ Filter **B** with the label facing to the left slightly. The two nozzles on top of the QuickTwist™ Filter should be toward the back of the QuickTwist™ Filter. If holding properly, the two extended flanges on top of the QuickTwist™ Filter should be out to each side. See Figure 6 **1** at right.
- 2 Lift the QuickTwist™ Filter straight up into the System Head **A** until the two nozzles seat into the ports and the two extended flanges on top of the QuickTwist™ Filter are fully engaged into the System Head.
- 3 Turn the QuickTwist™ Filter counter-clockwise until it stops.





## STEP 7 - Optional Direct Connect

### Test the Filter System for Proper Operation

- 1 Turn on the cold water shut-off valve under the sink.
- 2 Turn on the new Faucet for Filtered Water **D**. In order for the Filter System to flush out any air and carbon fines (fine black powder) from the QuickTwist™ Filter, allow the water to run for approximately 10 minutes.
- 3 Check for any leaks between the System Head assembly and Filter; around all fittings; on Kitchen Faucet Adapter **H** connection; and on faucet/tubing connection.

#### ***If there are leaks between the System Head assembly and the QuickTwist™ Filter:***

- Turn off the cold water shut-off valve to the Filter System and turn on the Faucet for Filtered Water to drain the water and release pressure.
- Remove the QuickTwist™ Filter and inspect the O-Rings around the nozzles on top of it. Make sure they are in place and free from dirt and particles.
- Turn off the Faucet for Filtered Water.
- Replace the QuickTwist™ Filter by lifting it straight up into the System Head until the two nozzles seat into the ports and the two extended flanges on top of the QuickTwist™ Filter are fully engaged into the System Head. Turn the QuickTwist™ Filter counter-clockwise until it stops.
- Turn the cold water supply valve back on and turn on the Faucet for Filtered Water.

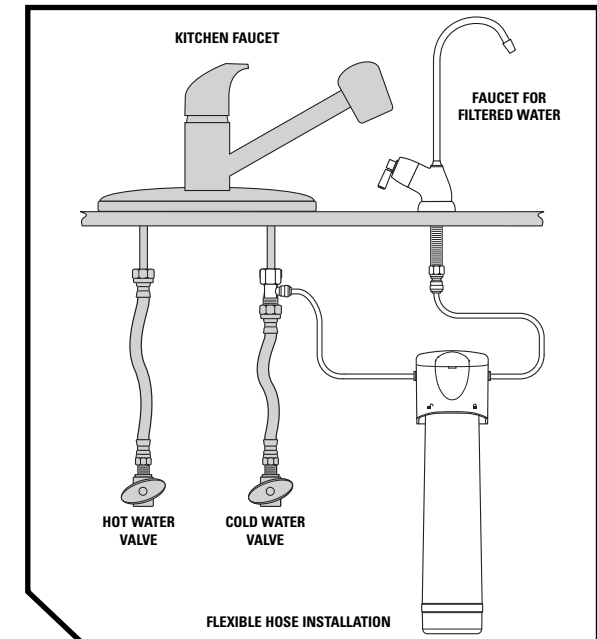
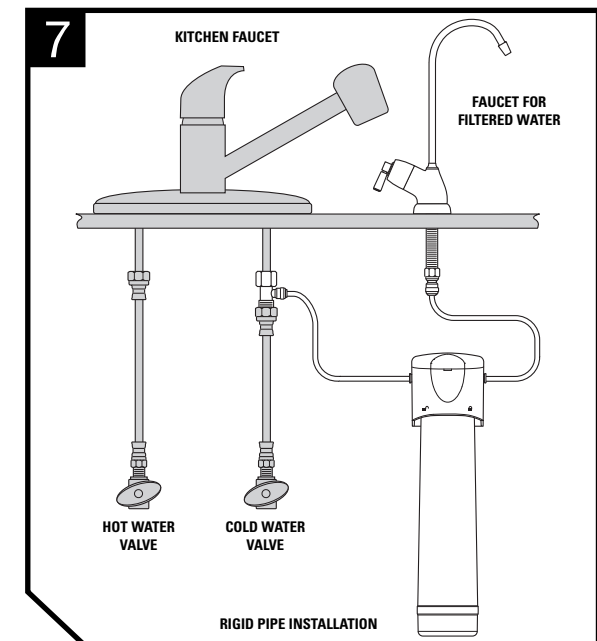
#### ***If there are leaks around the fittings:***

- Turn off the cold water shut-off valve to the Filter System to release pressure in the System.
- While pulling the 1/4" Plastic Tubing **L** with one hand, press in on the grey collar around the inlet and/or outlet fitting. Check to make sure that the 1/4" Plastic Tubing is cut squarely and that it is not scratched. If the 1/4" Plastic Tubing is unevenly cut or scratched, cut off 1/2" to 5/8" and re-install the Plastic Tubing (see Step 5 of Installation Instructions).
- Turn the cold water shut-off valve back on and turn on the Faucet for Filtered Water.

#### ***If there are leaks on the Kitchen Faucet Adapter connection:***

- Turn off the cold water shut-off valve to the Filter System to release pressure in the System.
- Locate the Kitchen Faucet Adapter.
  - If the 1/4" Plastic Tubing is leaking, follow the previous steps ("If there are leaks around the fittings").
  - If the thread between the Kitchen Faucet Adapter and the kitchen faucet stem is leaking, tighten more securely. If leaking continues, disconnect the 1/4" Plastic Tubing and remove the Kitchen Faucet Adapter. Wrap the Kitchen Faucet Adapter and the threaded faucet stem with plumber's tape and re-install (see Step 2 of Installation Instructions).
  - If the thread between the Kitchen Faucet Adapter and the cold water supply line is leaking, tighten more securely. If leaking continues, disconnect the 1/4" Plastic Tubing and remove the Kitchen Faucet Adapter. Wrap the Kitchen Faucet Adapter and the cold water supply line with plumber's tape and re-install (see Step 2 of Installation Instructions).
- Turn the cold water shut-off valve back on and turn on the Faucet for Filtered Water.

- If leaks continue, turn off the water supply and call Customer Service or your local plumber.
- For Filter Replacement Instructions please see page 7.



## Replacement Filters

### DuPont™ QuickTwist™ 1 Stage Drinking Water Filtration System WFQT13000 Series

Usage and quality of water in your incoming water line affect the life of filter cartridges and determine when the cartridge should be changed. Cartridges should be replaced sooner if water pressure at the faucet begins to drop noticeably or if the filter fails to perform satisfactorily.

A filter cartridge's stated reduction capacity is tied to the cartridge's performance within a specific filtration system for which it has been tested and certified. Please see the Performance Data Sheet for the certified performance of specific systems with stated cartridges.

System Certification	Filter Model Number
QuickTwist™ 1 Stage Drinking Water Filtration System WFQT13000 Series	WFQTC30001

## CAUTION

- These filters are not water purifiers. Do not use with water that is microbiologically unsafe or of unknown quality without adequate disinfection before or after the system. Systems certified for Cyst reduction may be used on disinfected waters that may contain filterable Cysts.
- This unit is not designed to filter sulfur (rotten egg odor). Use of carbon filters to treat sulfur may intensify taste/odor problems.
- Please comply with all state and local regulations regarding the installation of water treatment devices.
- The contaminants or other substances reduced by the water filter device are not necessarily in your water.

## Operation/Maintenance Data

These units are intended for non-commercial use. They should be used only in ambient air temperature of between 35 degrees F / 2 degrees C and 100 degrees F / 38 degrees C. Placement of these units in direct sunlight or use of electrical heating equipment on these units must be avoided. Replace filter cartridge when and as directed in the installation/ operation instructions included with each cartridge. Replacement filter cartridges are available at retail outlets.

## Replacement Parts

### DuPont™ QuickTwist™ 1 Stage Drinking Water Filtration System WFQT13000 Series

Part Number	Description
WFAS300	Mounting Screws (Package of 2)
WFAF400	Kitchen Faucet Adapter
WFAF300	1/4" Plastic Tubing (6 Feet)
WFAH100	QuickTwist™ 1 Stage Head Assembly

#### Ordering Information:



[www.waterfiltration.DuPont.com](http://www.waterfiltration.DuPont.com)

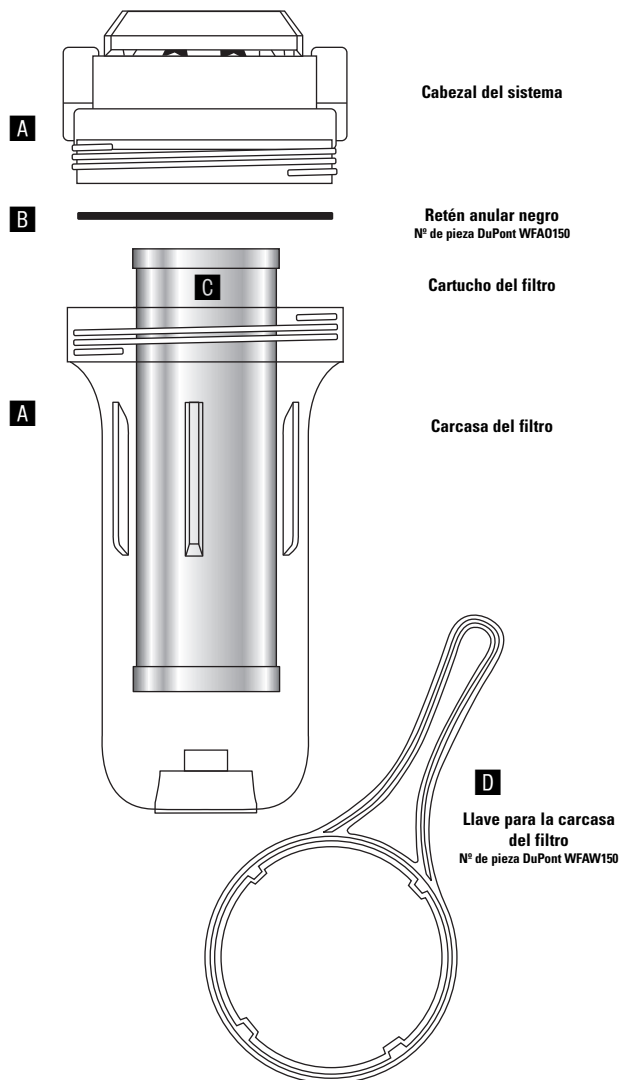
Protect Plus, LLC ■ Hickory, NC 28601 USA



**866-709-2086** Toll Free  
For Service Requests & Product Information  
Hours of Operation: 24 Hours/Day, 7 Days/Week



## Contenido del embalaje



# Instrucciones de instalación

## Sistema universal de filtrado para toda la casa con válvula en el cabezal



### Piezas y elementos de montaje incluidos

- A** Sistema de filtrado con válvula en el cabezal (Cabezal del sistema con carcasa del filtro)
- B** Retén anular negro
- C** Cartucho del filtro
- D** Llave para la carcasa del filtro



### Herramientas y materiales necesarios

- Válvulas/conexiones de compresión (no incluidas) (Vea el Paso 2: Configuración de su sistema)
- 2 llaves ajustables
- Llave de tubos
- Cortador de tubos o sierra cortametales
- Bandeja o cubo
- Lima
- Lápiz
- Cinta para cañerías
- Grasa siliconada

### Optional Materials

- Soporte de montaje, pernos y tornillos  
Nº de pieza DuPont WFAW150
- Conexión de puesta a tierra

## Información y asistencia



[www.waterfiltration.DuPont.com](http://www.waterfiltration.DuPont.com)

Protect Plus, LLC ■ Hickory, NC 28601 USA



866-709-2086 Gratis  
Para solicitudes de servicio e información de productos  
Horarios de atención: Las 24 horas, los 7 días de la semana



800-441-7515  
Para preguntas sobre salud y seguridad

*Para instalación en Massachusetts, se debe cumplir el Código de Plomería de la Mancomunidad de Massachusetts CMR248.*



## Instalación correcta

Antes de instalar y usar su sistema de filtrado de agua, lea todas las instrucciones, especificaciones y precauciones.

### PRECAUCIÓN

Este filtro debe estar protegido contra el congelamiento, que puede causar rajaduras y pérdidas de agua.

### PRECAUCIÓN

Puesto que el producto tiene una vida útil limitada y a fin de evitar reparaciones costosas o posibles daños al agua, recomendamos especialmente reemplazar la carcasa cada diez años. Si el cabezal del filtro ha estado en uso un tiempo mayor que este período, debe reemplazarse inmediatamente. Ponga la fecha en la parte superior del cabezal nuevo para indicar la próxima fecha de reemplazo recomendada.

#### Precauciones:

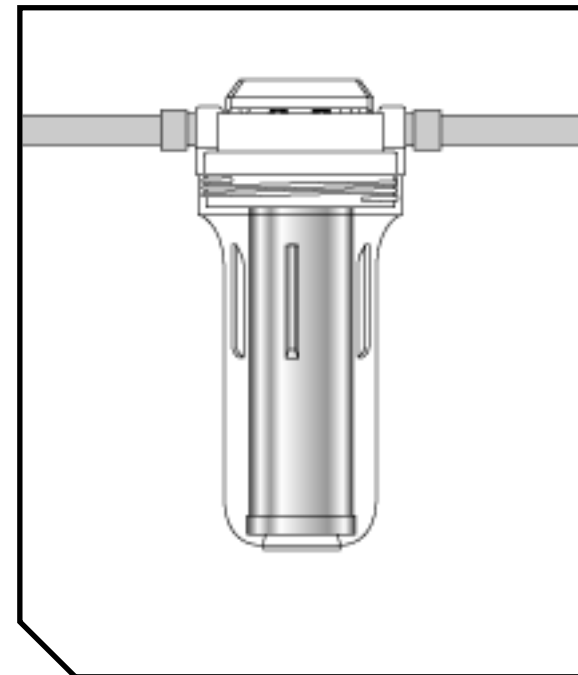
Para usar con agua fría únicamente.

Después de períodos prolongados sin uso (como durante las vacaciones), es recomendable lavar a fondo el sistema. Deje correr el agua durante 10 minutos antes de usarlo.

Los cartuchos de filtro usados con este sistema tienen una vida útil limitada. Los cambios en el sabor, olor y/o caudal del agua filtrada indican que debe reemplazarse el cartucho.

No instale el sistema en lugares donde esté expuesto a la luz solar directa.

Su sistema de filtrado de agua soporta hasta 100 psi de presión de agua. Si la presión del suministro de agua entrante a su casa es superior a 100 psi, instale una válvula reductora de presión antes de instalar el sistema.



## Antes de comenzar

- Localice la tubería de suministro de agua entrante a su casa y verifique qué tipo de cañerías están colocadas (por ej.: plástica, metálica o de cobre). La tubería de suministro de agua se encuentra habitualmente en el sótano, en el espacio vacío debajo del piso o en el garaje. Conecte con la línea de la agua fría solamente.
- Mida el diámetro del caño existente para determinar el tamaño de las conexiones y/o válvulas (no incluidas) que se necesitarán.
- Elija un lugar en la tubería de suministro donde instalar el sistema de filtrado. Asegúrese de colocar el sistema de filtrado en un área después del medidor de agua o tanque de presión y antes del calentador de agua. Seleccione también un lugar de fácil acceso para cambiar los cartuchos del filtro.
- Consulte los códigos de plomería locales y realice la instalación de acuerdo a los mismos.



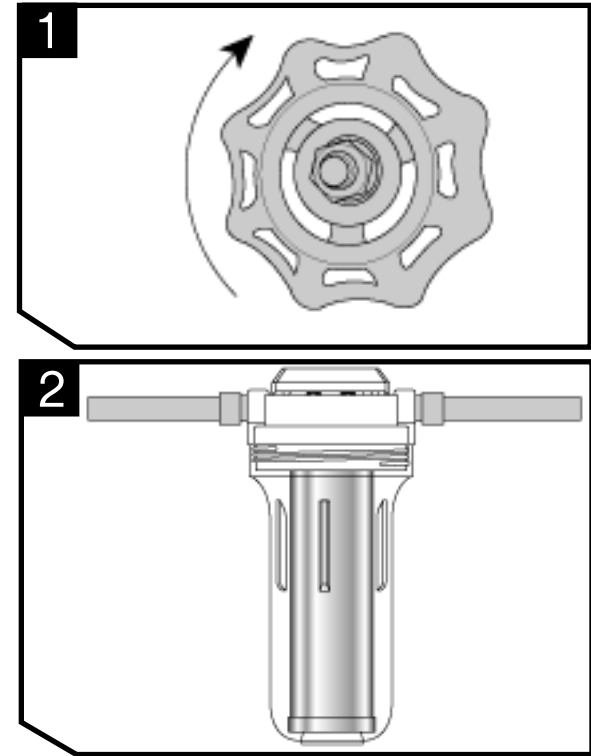
# PASO 1

## Corte del suministro de agua

### PRECAUCIÓN

El sistema de filtrado debe instalarse después del medidor de agua o tanque de presión.

- 1 Corte el suministro de agua entrante a su casa.
- 2 Purgue toda el agua existente en las cañerías abriendo todos los grifos de su casa y desagotándolas completamente.



# PASO 2

## Configuración de su sistema

Vea la tabla de configuración del sistema de abajo para determinar cómo configurará su sistema de filtrado y para identificar las piezas y herramientas adicionales que necesitará para la instalación.

Materiales necesarios para orificios de entrada y salida de la carcaca de 3/4"

Tipo de plomería de su vivienda:		Tubo de cobre de 3/4"	Tubo de cobre de 1"	Tubo PVC de 3/4"	Tubo PVC de 1"	3/4" PEX	1" PEX
Cantidad	Método de acople	Soldadura de acuerdo con la plomería local	Sin acople individual – necesitará más de 1. Soldadura de acuerdo con la normativa local de plomería	Utilice imprimador para PVC y pegamento para tubos de PVC de acuerdo a la normativa local de plomería	Utilice imprimador para PVC y pegamento para tubos de PVC de acuerdo a la normativa local de plomería	Es posible que necesite consultar a un plomero de su localidad – requiere de herramientas especiales	Es posible que necesite consultar a un plomero de su localidad – requiere de herramientas especiales
2	Adaptador macho estándar	Adaptadores macho de 3/4"	1" x 3/4" reducing coupling & 3/4" male adapter & 3/4" x 2" copper nipple	Adaptador macho de tubo PVC tipo deslizante de 3/4" MPT x 3/4"	Adaptador macho de tubo PVC tipo deslizante de 3/4" MPT x 1"	Adaptador CTS QC de tubo de 3/4" MPT x 3/4" (Vatios de pex del agua)	Adaptador CTS QC de tubo de 3/4" MPT x 1" (Vatios de pex del agua)
2	Compresión	Tubo de 3/4" de OD x Adaptador macho de compresión MIP de 3/4"	La compresión no es fácil de conseguir para tubo de cobre de 1"	n/a	n/a		
2	Unión	Unión de cobre de 3/4" y adaptador macho de 3/4" y empalme de cobre de 2"	Unión de cobre de 1" y acople reductor de 1" x 3/4" y adaptador macho de 3/4" y (2) empalme de cobre de 3/4" x 2"	Unión de PVC de 3/4" y Adaptador macho de tubo PVC tipo deslizante de 3/4" MPT x 3/4" y empalme de PVC de 3/4" x 2"	Unión de PVC de 1" y Adaptador macho de tubo PVC tipo deslizante de 3/4" MPT x 1" y empalme de PVC de 1" x 2"		

**NOTA:** En relación con las cañerías galvanizadas, consulte a un plomero profesional.





## PASO 3

### Armado del sistema

- 1 Arme en seco el sistema completo (de acuerdo a la configuración elegida), incluidos todos los accesorios de conexión y válvulas.  
**OPCIONAL: Si usa un soporte de montaje (no incluido), posicione el cabezal del sistema de filtrado alineado con los orificios de entrada y salida.**
- 2 Mida la longitud exterior total (vea el diagrama) del sistema configurado.
- 3 Reduzca esta medida lo suficiente para tener en cuenta la longitud de acoplamiento (X) a fin de determinar cuánto caño hay que sacar de la tubería.

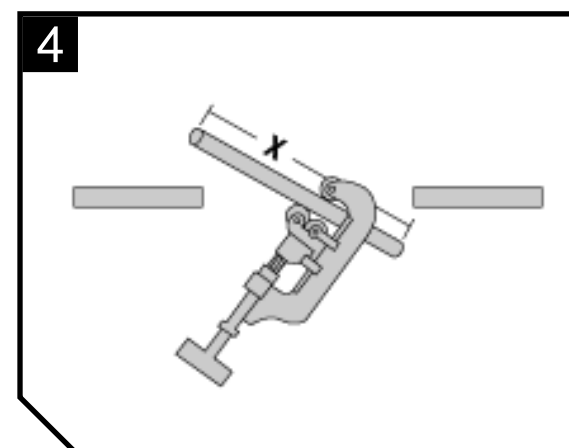
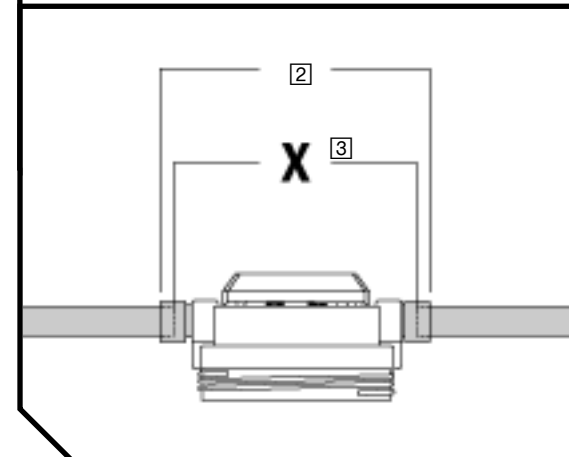
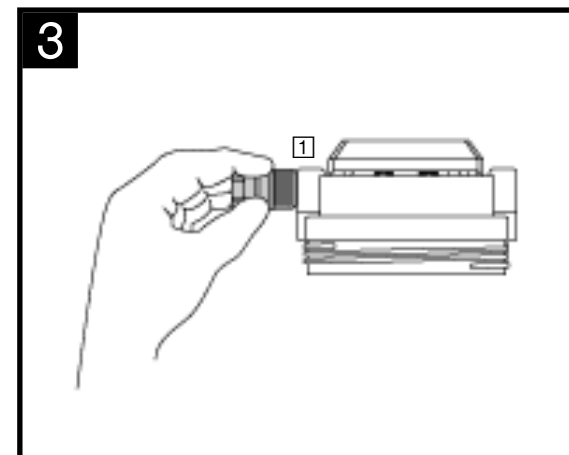
## PASO 4

### Marcado de las medidas y corte de la cañería

#### PRECAUCIÓN

Use gafas de seguridad para protegerse los ojos mientras corta.

- 1 Marque la sección de la cañería de suministro que debe remover (X) a fin de permitir la instalación del sistema configurado (determinada en el Paso 3).  
**NOTA: ¡Mida dos veces, corte una vez sola!**
- 2 Corte con un cortador de tubos o sierra para metales la sección marcada en la cañería.  
**NOTA: Use una bandeja o un cubo para recoger el agua que caiga de los caños.**
- 3 Elimine las rebabas o residuos de los bordes cortados con una lima.



# PASO 5

## Colgado del cabezal del sistema de filtrado

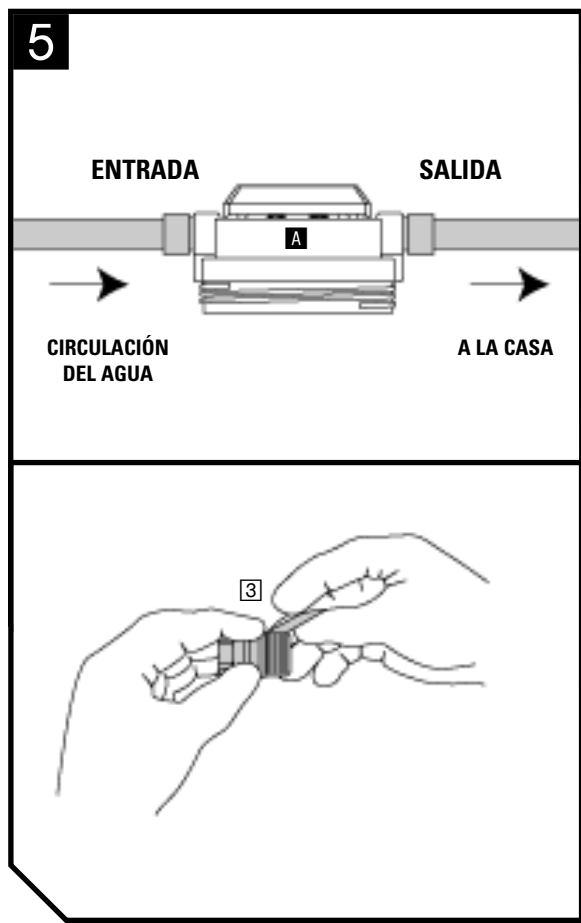
- 1 Alinee el cabezal del sistema **A** con los caños, de modo que la entrada y la salida estén en las posiciones correctas. El orificio marcado "in" del sistema de filtrado debe mirar al suministro entrante de agua.
- 2 Deje el cabezal del sistema colgando temporalmente entre los dos caños de suministro cortados.
- 3 Aplique cinta para cañerías o un sellador apropiado a los accesorios de conexión y las tuberías, de acuerdo a la configuración de su sistema.
- 4 Haga todas las conexiones y apriete los accesorios de conexión.

**NOTA: Mantenga el sistema de filtrado en posición vertical.**

**PRECAUCIÓN**

Debe instalarse en las cañerías de agua una conexión de puesta a tierra (no incluida) si las mismas se usan para poner a tierra sistemas eléctricos, electrodomésticos o teléfonos.

CONEXIÓN DE PUESTA A TIERRA (NO INCLUIDA)

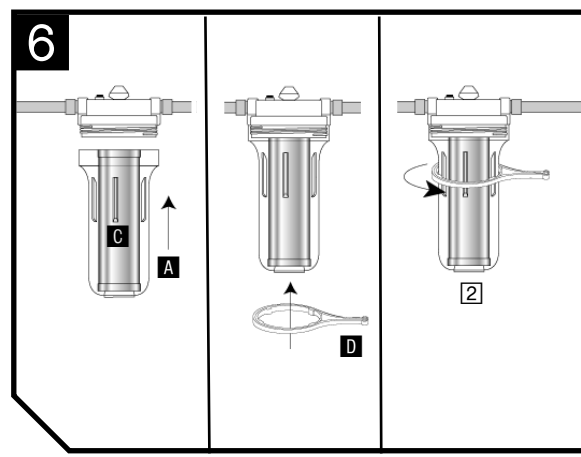


# PASO 6

## Instalación de la carcasa del filtro

- 1 Inserte el cartucho del filtro **C** sobre el tubo vertical de la parte inferior de la carcasa del filtro **A**.
- 2 Enrosque nuevamente la carcasa del filtro en el cabezal del sistema y apriétela con la mano. Usando la llave para la carcasa **D**, apriétela 1/4 de vuelta.

**NOTA: No la sobrepriete.**





# PASO 7

## Prueba del funcionamiento correcto del sistema de filtrado

- 1 Gire la palanca de la válvula del cabezal del sistema **A** a la posición cerrada alineando el indicador rojo de la válvula con la palabra "OFF" que aparece en el cabezal del sistema.
- 2 Abra el suministro de agua.
- 3 Gire lentamente la válvula del cabezal del sistema a la posición "FILTER" en el sentido horario hasta que se detenga. El indicador rojo de la válvula debe alinearse con la palabra "FILTER" escrita en el cabezal del sistema.
- 4 Revise si hay fugas entre el cabezal del sistema y la carcasa del filtro del sistema de filtración así como en las conexiones de entrada y salida. Si hay fugas, refiérase a los consejos útiles sobre localización y solución de problemas.
- 5 Abra el grifo más cercano y purgue el sistema de filtración durante 40 minutos.

### **Si hay pérdidas entre el cabezal del sistema y la carcasa del sistema de filtrado:**

- Gire la palanca de la válvula del cabezal del sistema a la posición "OFF" o "BYPASS".
- Desenrosque y retire la pieza del sumidero de la pieza cabezal del sistema usando la llave para la carcasa **D**.

**NOTA: Use una bandeja o un cubo para recoger el agua que caiga de la carcasa.**

- Retire el retén anular negro **B** e inspecciónelo. Límpielo y lubríquelo con grasa siliconada.
- Limpie las acanaladuras de la parte superior de la carcasa del filtro donde se asienta el retén anular.
- Coloque nuevamente el retén anular limpio y lubricado en la acanaladura.
- Enrosque nuevamente la carcasa del filtro en el cabezal del sistema y apriételo con la mano. Usando la llave para la carcasa, apriétela 1/4 de vuelta.

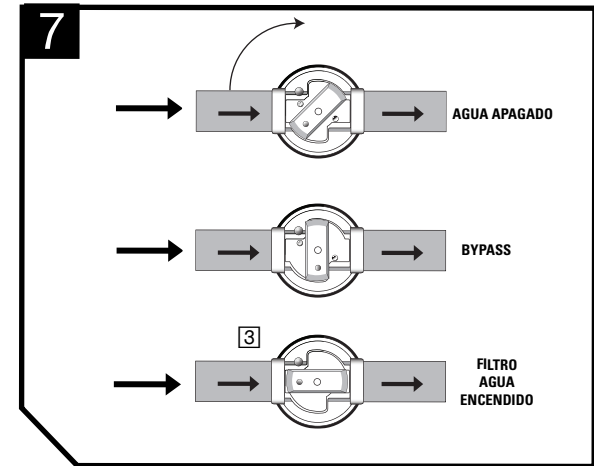
**NOTA: No la sobreapriete.**

- Gire la palanca de la válvula del cabezal del sistema a la posición "ON" y verifique que no haya pérdidas.

### **Si hay pérdidas en las conexiones de entrada y/o salida:**

- Corte el suministro de agua entrante a su casa.
- Purgue toda el agua existente en las cañerías abriendo todos los grifos de su casa y desagotándolos completamente.
- Apriete todos los accesorios de conexión.
- Abra el suministro de agua, gire la palanca de la válvula del cabezal del sistema a la posición "ON" y verifique que no haya pérdidas.
- Si las pérdidas persisten, desarme el sistema configurado, vuelva a aplicar cinta o sellador para cañerías y reinstale el sistema de filtrado.

► Si las pérdidas persisten, corte el suministro de agua y llame al Servicio al Cliente o consulte a su fontanero local.





# Reemplazo del cartucho del filtro

## PASO 1

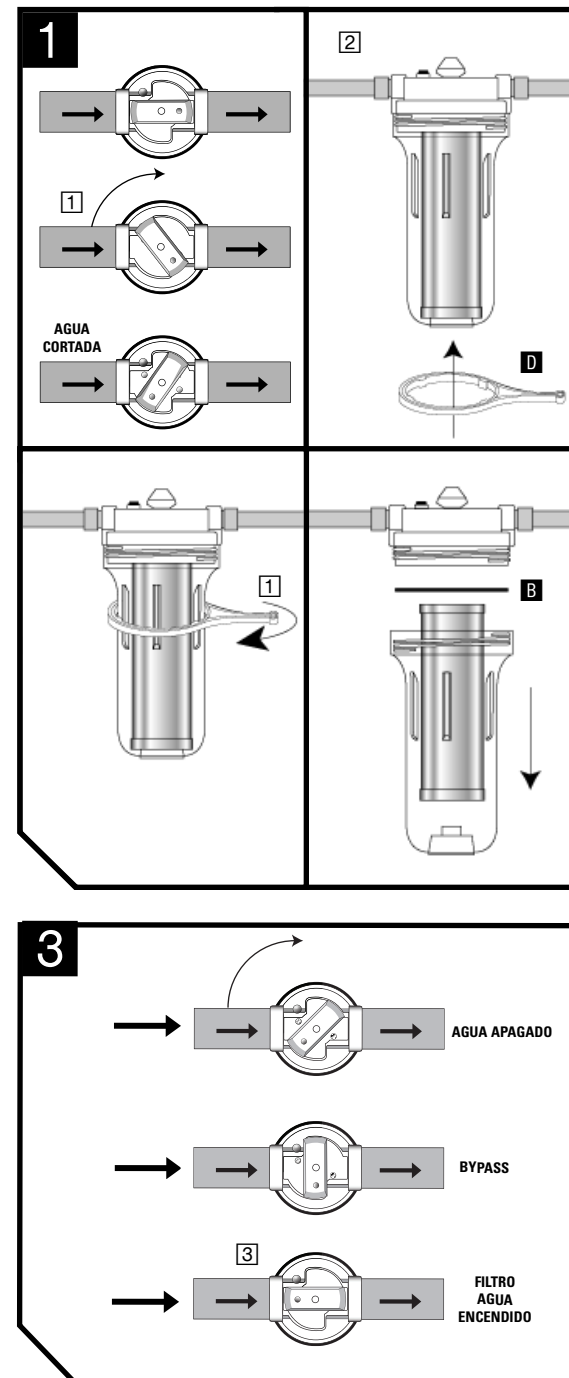
- 1 Gire la válvula del cabezal del sistema **A** a la posición "OFF" o "BYPASS".  
**NOTA:** De esta forma se corta todo el suministro de agua a la casa. "BYPASS" permitirá que el agua sin filtro fluya en el hogar.
- 2 Use la llave para la carcasa del filtro **D** a fin de desenroscar la carcasa del filtro.  
**NOTA:** Use una bandeja o un cubo para recoger el agua que caiga de la carcasa.
- 3 Vierta el agua existente en la carcasa del filtro y retire el cartucho del filtro usado **B**.

## PASO 2

- NOTA:** Tenga una bandeja o un cubo a mano para enjuagar el agua de la carcasa del filtro.
- 1 Enjuague la parte inferior de la carcasa del filtro.
  - 2 Agregue suficiente agua como para llenar 1/3 de la carcasa. Agregue aproximadamente 2 cucharas soperas de blanqueador y limpie el cabezal del sistema y la parte inferior de la carcasa del filtro con un paño limpio. Después de limpiar, enjuague a fondo la carcasa del filtro con agua limpia para eliminar el blanqueador.
  - 3 Retire el retén anular **B** de la parte superior de la carcasa del filtro y límpielo.
  - 4 Use grasa siliconada para lubricar el retén anular.
  - 5 Coloque nuevamente el retén anular en la acanaladura de la carcasa del filtro.  
**NOTA:** Asegúrese de que el retén anular se asiente correctamente en la acanaladura a fin de asegurar un buen sellado.

## PASO 3

- 1 Inserte el nuevo cartucho del filtro sobre el tubo vertical de la parte inferior de la carcasa del filtro.
- 2 Enrosque nuevamente la carcasa del filtro en el cabezal del sistema y apriétela con la mano. Usando la llave para la carcasa, apriétela 1/4 de vuelta.  
**NOTA:** No la sobreapriete.
- 3 Dé vuelta lentamente a la válvula en la cabeza del sistema a la posición del "FILTRE" para permitir que el cárter del filtro llene de agua.
- 4 Fíjese si hay alguna pérdida antes de continuar.
- 5 Abra el grifo más cercano y lave el sistema de filtrado durante 40 minutos.





## Cartuchos de repuesto

### Sistema universal de filtrado para toda la casa con válvula en el cabezal DuPont™ Serie WFPF3800 y WFPF2800

El consumo y la calidad del agua de su línea de suministro entrante afectan a la vida útil de los cartuchos de filtro y determinan cuándo deben reemplazarse. Los cartuchos deben reemplazarse anticipadamente si la presión de agua en el grifo comienza a decaer perceptiblemente o si el filtro no funciona satisfactoriamente.

Sistema	Números de modelo del cartucho
Sistema universal de filtrado para toda la casa con válvula en el cabezal Serie WFPF2800	WFPFC3002, WFPFC4002, WFPFC5002, WFPFC8002, WFPFC9002
Sistema universal de filtrado para toda la casa con válvula en el cabezal Serie WFPF3800	WFPFC3002, WFPFC4002, WFPFC5002, WFPFC8002, WFPFC9002

## Piezas de repuesto

### Sistema universal de filtrado para toda la casa con válvula en el cabezal DuPont™ Serie WFPF3800 y WFPF2800

Número de pieza	Descripción
WFAB150	Soporte de montaje
WFA0150	Retén anular
WFAW150	Llave para la carcasa del filtro

Información para pedidos:



[www.waterfiltration.DuPont.com](http://www.waterfiltration.DuPont.com)

Protect Plus, LLC ■ Hickory, NC 28601 USA



866-709-2086 Gratis

Para solicitudes de servicio e información de productos  
Horarios de atención: Las 24 horas, los 7 días de la semana

## PRECAUCIÓN

- Estos filtros no son purificadores de agua. No los use con agua microbiológicamente insegura o de calidad desconocida sin una desinfección adecuada antes o después del sistema. Pueden usarse sistemas certificados para reducción de cistes para aguas desinfectadas que puedan contener cistes filtrables.
- Esta unidad no está diseñada para filtrar azufre (olor a huevos podridos). El uso de filtros de carbón para tratar el azufre puede intensificar los problemas de sabor y olor.
- Cumpla todas las regulaciones estatales y locales relativas a la instalación de dispositivos de tratamiento de agua.
- Los contaminantes u otras sustancias reducidas por este filtro no están necesariamente presentes en el agua que usted usa.

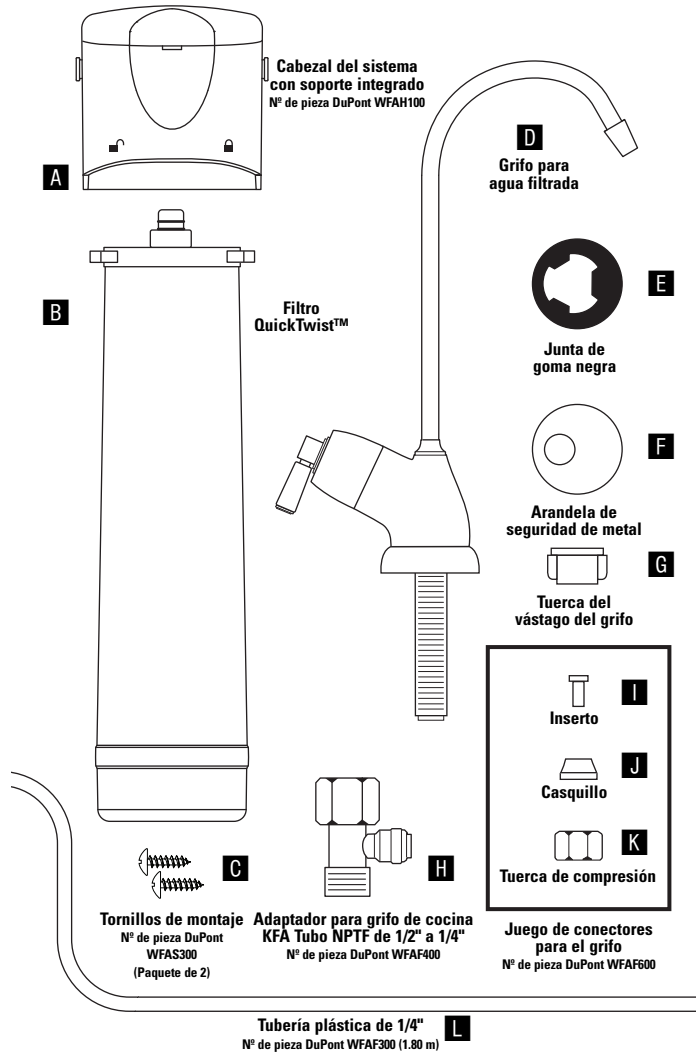
## Datos de operación y mantenimiento

Estas unidades están diseñadas para uso no comercial. Deben usarse únicamente con temperaturas de aire ambiental entre 35 grados F (2 grados C) y 100 grados F (38 grados C). Debe evitarse colocar estas unidades bajo la luz solar directa o usar equipos calefactores eléctricos en las mismas. Reemplace el cartucho del filtro cuando y como se explica en las instrucciones de instalación y operación incluidas con el cartucho. Los cartuchos de filtro de repuesto están disponibles en las tiendas minoristas.



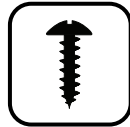


## Contenido del embalaje



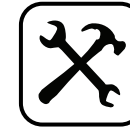
# Instrucciones de instalación

## Sistema de filtrado de agua potable de 1 etapa QuickTwist™



### Piezas y elementos de montaje incluidos

- A** Cabezal del sistema de filtrado con soporte integrado
- B** Filtro QuickTwist™
- C** Tornillos de montaje
- D** Grifo para agua filtrada
- E** Junta de goma negra
- F** Arandela de seguridad de metal
- G** Tuerca del vástago del grifo
- H** Adaptador para grifo de cocina
- I** Inserto
- J** Casquillo
- K** Tuerca de compresión
- L** Tubería plástica de 1/4"



### Herramientas y materiales necesarios

- Destornillador Phillips
- Broca de 1/8"
- Punzón de marcar
- Llave ajustable
- Cuchillo multiuso
- Lima
- Cinta de medición
- Gafas de seguridad
- Cinta de enmascarar
- Papel de periódicos o toallas
- Lápiz
- Bandeja o cubo
- Tapa de compresión (opcional - para conector del rociador de manguera del grifo de cocina)

### Materiales opcionales

- Taladro con brocas de 1/4" y 9/16" o 5/8"
- Pernos de anclaje o pernos de mariposa para paredes huecas
- Sierra cortametales
- Cinta para cañerías

### Información y asistencia



[www.waterfiltration.DuPont.com](http://www.waterfiltration.DuPont.com)



866-709-2086 *Gratis*

Para solicitudes de servicio e información de productos  
Horarios de atención: Las 24 horas, los 7 días de la semana



800-441-7515

Para preguntas sobre salud y seguridad

Protect Plus, LLC ■ Hickory, NC 28601 USA

*Para instalación en Massachusetts, se debe cumplir el Código de Plomería de la Mancomunidad de Massachusetts CMR248.*



## Instalación correcta

Antes de instalar y usar su sistema de filtrado de agua, lea todas las instrucciones, especificaciones y precauciones.

### PRECAUCIÓN

Este filtro debe estar protegido contra el congelamiento, que puede causar rajaduras y pérdidas de agua.

### PRECAUCIÓN

Puesto que el producto tiene una vida útil limitada y a fin de evitar reparaciones costosas o posibles daños al agua, recomendamos especialmente reemplazar el cabezal del filtro cada diez años. Si el cabezal del filtro ha estado en uso un tiempo mayor que este período, debe reemplazarse inmediatamente. Ponga la fecha en la parte superior del cabezal nuevo para indicar la próxima fecha de reemplazo recomendada.

#### Precauciones:

Para usar con agua fría únicamente.

Después de períodos prolongados sin uso (como durante las vacaciones), es recomendable lavar a fondo el sistema de filtrado. Deje correr el agua durante 10 minutos antes de usarlo.

El filtro QuickTwist™ usado con este sistema tiene una vida útil limitada. Los cambios en el sabor, olor y/o caudal del agua filtrada indican que debe reemplazarse el filtro.

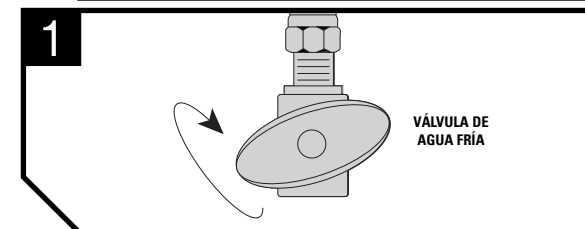
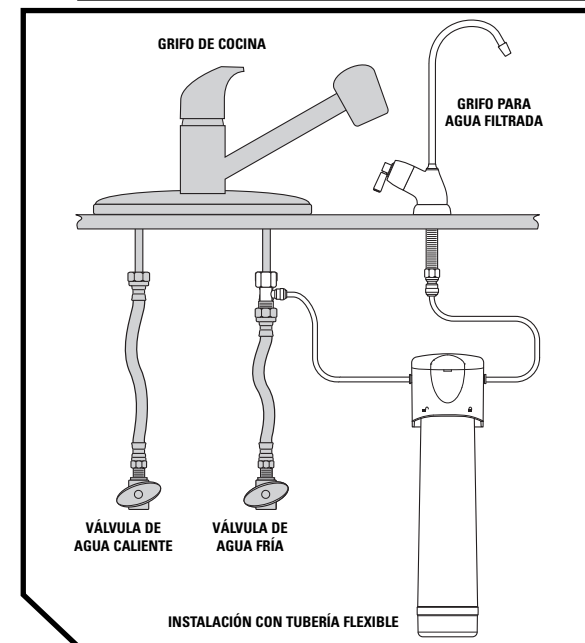
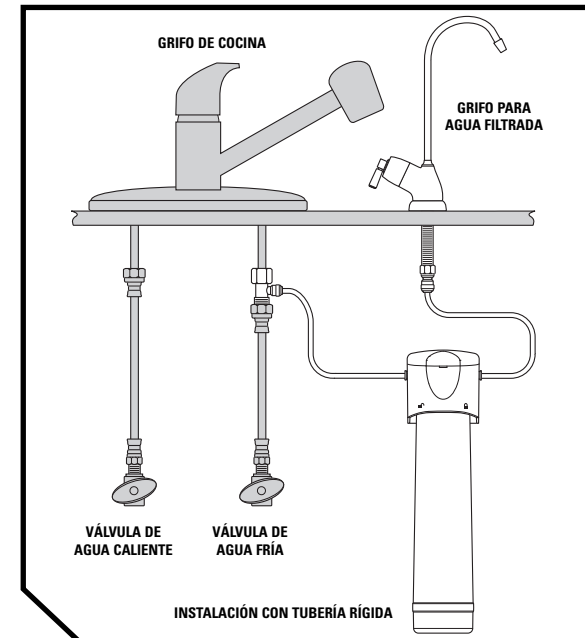
## Antes de comenzar

- Revise debajo del fregadero para localizar una superficie de pared maciza para montar el sistema de filtrado.  
**NOTA: El sistema de filtrado se debe montar en posición vertical.**
- Localice la cañería de agua fría debajo del fregadero y observe si es una manguera flexible o un caño rígido (por ej.: plástico, metálico o de cobre). Es posible que los caños rígidos deban cortarse a fin de hacer un espacio apropiado para instalar el adaptador para grifo de cocina (vea el Paso 2). Determine también si cuenta con todos los elementos de sujeción y adaptadores apropiados para la adaptación a sus cañerías.
- Consulte los códigos de plomería locales y realice la instalación de acuerdo a los mismos.
- Si va a instalar su QuickTwist™ de la Serie WFDW13000 directamente al grifo de la cocina, refiérase a la página 8.

## PASO 1

### Corte del suministro de agua

- 1 Localice la válvula de paso del agua fría ubicada debajo del fregadero. Corte el suministro de agua fría al fregadero existente en la cocina.  
**NOTA: Si no está seguro de cuál tubería suministra el agua fría, abra el agua caliente del grifo. Deje que se caliente el agua y toque cuidadosamente los caños debajo del fregadero. El caño que sigue estando frío al tacto es el suministro de agua fría.**
- 2 Abra el grifo de agua fría del fregadero de la cocina para descargar la presión y permita que se desagote completamente el agua de la cañería.





## PASO 2

### Montaje del grifo para agua filtrada

**NOTA:** El grifo para agua filtrada de este paquete está diseñado para instalar en un orificio de 9/16". La mayoría de los fregaderos estándar vienen con orificios para rociador de mano con manguera de 1-3/8" o 1-1/2" de diámetro que se pueden usar para montar el grifo. Si los orificios perforados previamente no se pueden usar o no están en la posición deseada, debe perforarse un orificio nuevo usando una broca de 9/16" o 5/8" para instalar el grifo. La base del grifo se debe posicionar firmemente sobre una superficie plana con suficiente espacio para que funcione correctamente. Antes de la instalación, se debe considerar la conveniencia y el aspecto del grifo.

SI SU FREGADERO NO TIENE UN ORIFICIO PARA ROCIADOR DE MANO, VAYA A 1. SI LO TIENE, VAYA A 4.

- 1 A fin de evitar que las piezas y los materiales se caigan por el desagüe, recubra el fregadero con papel de periódicos o una toalla.
- 2 Aplique cinta de enmascarar al área a perforar, a fin de evitar rayar la superficie del fregadero o la mesada si la broca se resbala durante la operación.
- 3 Marque el orificio a perforar con un punzón de marcar. Use la broca de 1/4" para hacer un orificio guía. Luego use la broca de 9/16" o 5/8" para perforar el orificio final. Perfore completamente a través del fregadero o mesada y suavice los bordes ásperos con una lima.

#### PRECAUCIÓN

Se recomienda usar gafas de seguridad y un respirador para este proceso, porque es posible que se produzca polvo que puede causar irritación severa si se inhala o entra en contacto con los ojos.

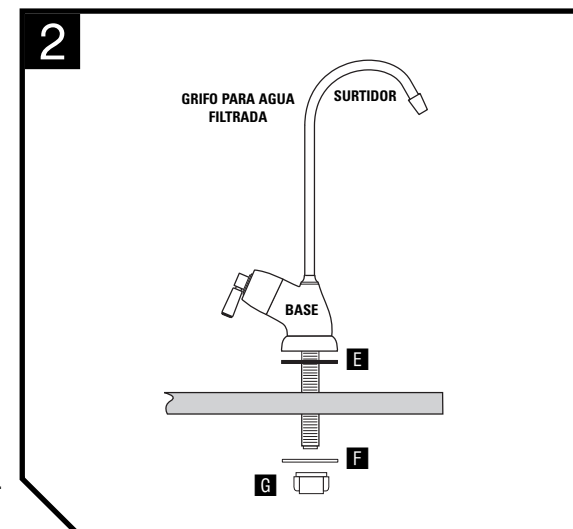
#### PRECAUCIÓN

NO PERFORE A TRAVÉS DE UN FREGADERO HECHO TOTALMENTE DE PORCELANA O HIERRO FUNDIDO. Si lo instala en un fregadero que es todo de porcelana o hierro fundido, el grifo se debe montar en un orificio de rociador perforado previamente o a través de la mesada o encimera contigua al fregadero. Si se debe perforar la mesada, asegúrese que no haya cables o cañerías en el área debajo del lugar de la perforación. Asimismo, asegúrese de que haya espacio suficiente para hacer las conexiones apropiadas en la parte inferior del montaje del grifo. NO PERFORE MESADAS DE MÁS DE 25 MM DE ESPESOR O QUE SEAN DE AZULEJOS, MÁRMOL, GRANITO O MATERIALES SIMILARES. Consulte a un plomero o al fabricante de la mesada para obtener asistencia.

**NOTA:** Asegúrese de que el grifo para agua filtrada esté armado. El surtidor del grifo para agua filtrada debe insertarse en el cuerpo del mismo y la tuerca de retención debe apretarse hasta que quede ceñida.

- 4 Guíe la arandela de goma negra E en el vástago roscado del grifo para agua filtrada. Deslice el vástago roscado en el orificio del fregadero o la mesada. Asegúrese de que el grifo para agua filtrada se asiente en forma plana en la superficie superior del fregadero o la mesada.
- 5 Desde abajo del fregadero, deslice la arandela de seguridad de metal F por el vástago del grifo para agua filtrada. Luego, enrosque la tuerca plástica G todo su recorrido por el vástago del grifo hasta que quede a ras de la arandela de seguridad metálica. Enrósquela hasta que quede ligeramente ceñida y verifique que el surtidor del grifo quede en la posición correcta. Apriete la tuerca con los dedos a fin de asegurar el grifo para agua filtrada al fregadero.

**NOTA:** No apriete la tuerca del vástago del grifo para agua filtrada con pinzas, puesto que puede dañar los filetes de rosca del vástago.





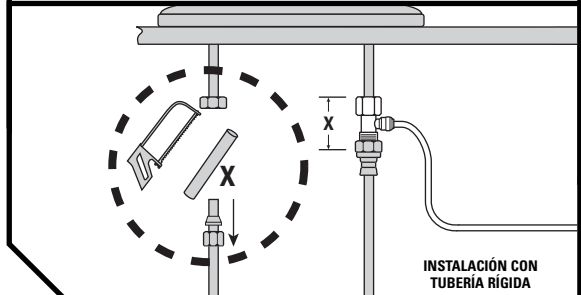
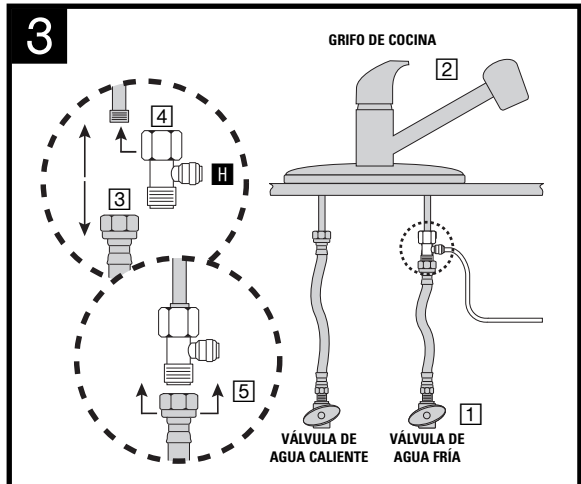


# PASO 3

## Instalación del adaptador del grifo de cocina

**NOTA:** El adaptador del grifo de cocina está diseñado para instalarlo en roscas de suministro NPTF de 1/2".

- 1 Localice la válvula de paso del agua fría debajo del fregadero. Corte el suministro de agua fría al fregadero.  
**NOTA:** Si no está seguro de cuál tubería suministra el agua fría, abra el agua caliente del grifo. Deje que se caliente el agua y toque cuidadosamente los caños debajo del fregadero. El caño que sigue estando frío al tacto es el suministro de agua fría.
- 2 Abra el grifo de cocina para descargar la presión y permita que se desagote completamente el agua de la cañería.
- 3 Desconecte la tubería de agua fría del vástago roscado de 1/2" de la parte inferior del grifo de cocina.  
**NOTA:** Si se usan cañerías de suministro rígidas (metálicas y plásticas), es posible que tenga que acortar la cañería con una sierra cortametales para instalar el adaptador para el grifo de cocina.
- 4 Sosteniendo el adaptador para grifo de cocina **H** en posición vertical (vea el diagrama), enrósquelo en el vástago roscado del grifo.
- 5 Enrosque la tubería de suministro de agua fría a las roscas macho del adaptador para grifo de cocina usando la tuerca que conectaba anteriormente dicha tubería al grifo de cocina. Para que quede firme, apriete la tuerca con una llave ajustable.



**⚠ ADVERTENCIA**

Antes de trabajar en el área del armario, asegúrese de que todos los electrodomésticos y tomacorrientes estén desconectados en el disyuntor.

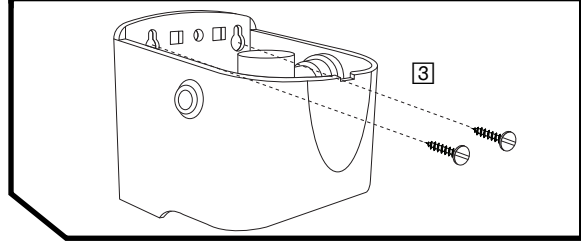
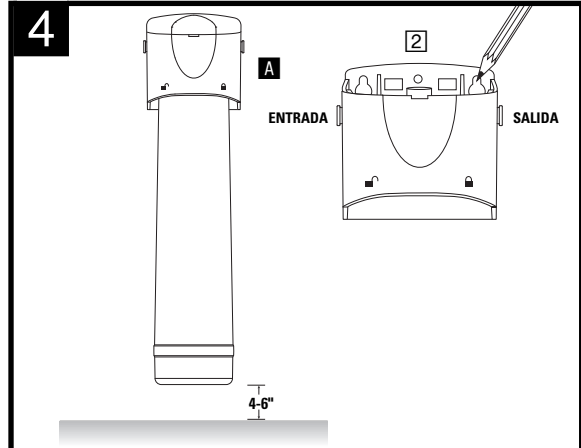
**⚠ PRECAUCIÓN**

Use gafas de seguridad para protegerse los ojos mientras perfora.

# PASO 4

## Montaje del cabezal del sistema

- 1 Elija un área de fácil acceso debajo del fregadero para montar el sistema de filtrado.  
**NOTA:** Para permitir un espacio apropiado para los cambios de filtro, deje una holgura mínima de 10 a 15 cm (4 a 6 pulg.) debajo del filtro QuickTwist™. El sistema de filtrado se debe montar en posición vertical.  
**NOTA:** Monte el sistema de filtrado en una pared o armario macizos. Si no dispone de una superficie maciza, use pernos de anclaje o pernos de mariposa para paredes huecas (no incluidos) para fijar el cabezal a la pared.
- 2 Retire la tapa de la parte superior del cabezal del sistema **A**. Use el soporte integrado de la parte trasera del cabezal o la plantilla provista en la contratapa de este folleto para marcar los orificios de los tornillos de montaje **C** en la superficie de la pared.
- 3 Con una broca de 1/8", perforo dos orificios guía para los tornillos de montaje. Inserte los tornillos de montaje en la pared con un destornillador Phillips, dejando expuestos aproximadamente 9 mm (3/8") de cada tornillo de montaje.
- 4 Cuelgue el cabezal del sistema en los ojales del soporte y vuelva a colocar la tapa del cabezal.





## PASO 5

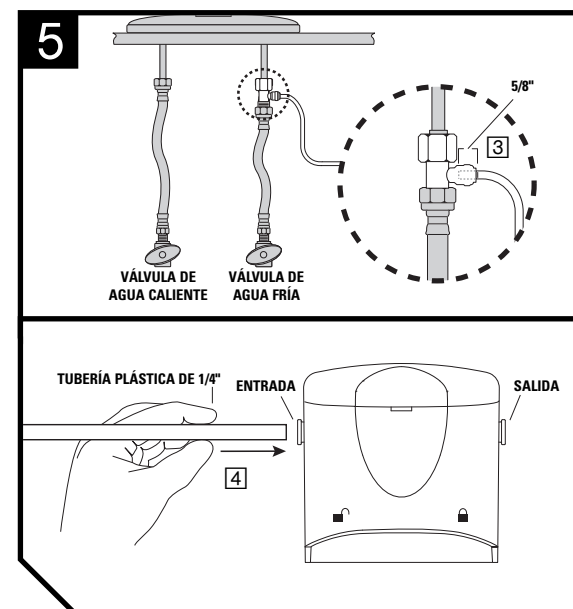
### Instale de la tubería plástica de 1/4" como tubería de suministro de agua desde la salida del adaptador del grifo de cocina hasta la entrada del cabezal del sistema

- 1 Determine la longitud de la tubería plástica de 1/4" **L** que será necesaria para conectar la entrada del cabezal del sistema al adaptador del grifo de cocina **H**. Asegúrese de dejar suficiente longitud de tubería plástica para evitar retorcimientos de la misma.
- 2 Corte la tubería plástica de 1/4" a escuadra en ambos extremos.
- 3 Moje con agua un extremo de la tubería plástica e introdúzcalo en el adaptador del grifo de cocina aproximadamente 16 mm (5/8") hasta que haga tope.

**NOTA: No doble ni engarce la tubería plástica de 1/4" cuando la introduce.**

- 4 Moje con agua el otro extremo de la tubería plástica e introdúzcalo en la entrada del cabezal del sistema aproximadamente 16 mm (5/8") hasta que haga tope.

**NOTA: No es necesario desconectar la tubería plástica para el mantenimiento general de rutina y el reemplazo del filtro. No obstante, puede desconectarse fácilmente si fuera necesario. Corte simplemente el suministro de agua al sistema de filtrado y presione el collar gris de alrededor del accesorio de conexión mientras tira de la tubería con la otra mano para sacarla..**



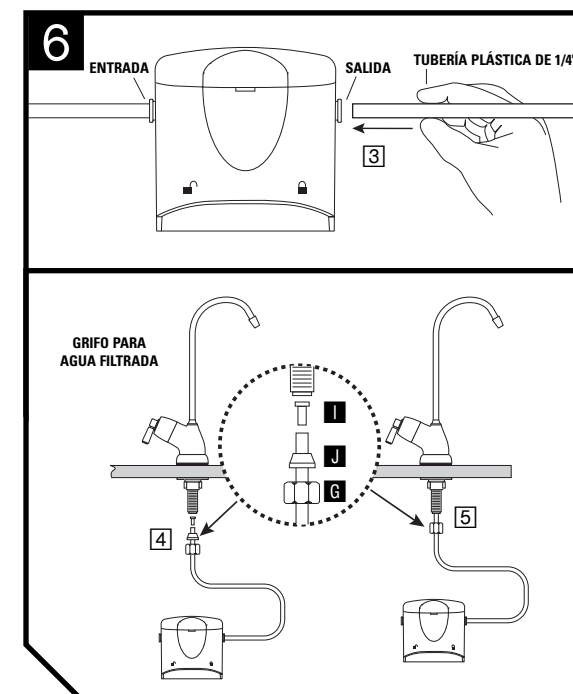
## PASO 6

### Instalación de la tubería plástica de 1/4" como tubería de suministro de agua desde la salida del cabezal del sistema hasta el grifo

- 1 Determine la longitud de la tubería plástica de 1/4" **L** que será necesaria para conectar la salida del cabezal del sistema al vástago roscado del grifo. Asegúrese de dejar suficiente tubería plástica para evitar retorcimientos en la misma.
- 2 Corte la tubería plástica de 1/4" a escuadra en ambos extremos.
- 3 Moje con agua un extremo de la tubería plástica de 1/4" e introdúzcalo en la salida del cabezal del sistema hasta que haga tope.
- 4 Deslice suavemente la tuerca plástica de compresión **G** (lado roscado arriba) sobre la tubería. Continúe con el casquillo plástico **J**, asegurándose de que quede en la posición correcta con la abertura más grande en la parte inferior (la que va dentro de la tuerca). Coloque el inserto plástico **I** en el extremo de la tubería plástica de 1/4".

- 5 Coloque la tubería plástica de 1/4" firmemente a presión en el extremo del vástago roscado del grifo. Apriete con la mano la tuerca plástica de compresión en la rosca. Apriete con una llave ajustable aproximadamente 1/2 vuelta.

**NOTA: No doble ni engarce la tubería plástica de 1/4" cuando la introduce. No sobreapriete la tuerca de compresión.**

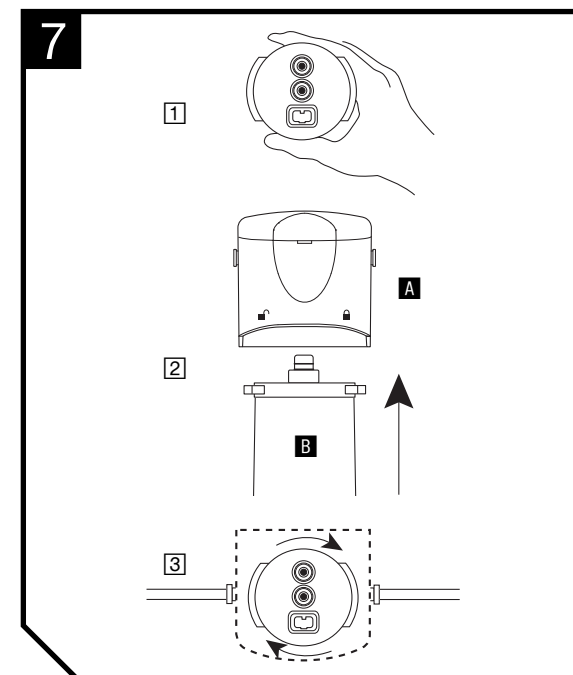




## PASO 7

### Instalación del filtro QuickTwist™

- 1 Sostenga el filtro QuickTwist™ **B** con la etiqueta mirando ligeramente a la izquierda. Las dos boquillas de la parte superior del filtro QuickTwist™ deben estar hacia la parte trasera de dicho filtro. Si lo sostiene correctamente, las dos bridas extendidas de la parte superior del filtro QuickTwist™ deben estar hacia afuera a cada lado. Vea la Figura 6 **1** de la derecha.
- 2 Levante el filtro QuickTwist™ en forma recta para colocarlo en el cabezal del sistema **A** hasta que las dos boquillas asienten en los orificios y las dos bridas extendidas de la parte superior del filtro se acoplen totalmente al cabezal.
- 3 Gire cada filtro QuickTwist™ en sentido horario hasta que haga tope.



## PASO 8

### Prueba del funcionamiento correcto del sistema de filtrado

- 1 Abra la válvula de paso del agua fría ubicada debajo del fregadero.
- 2 Abra el nuevo grifo de agua filtrada **D**. A fin de que el sistema de filtrado lave todo el aire y los residuos de carbón (polvo fino negro) del filtro QuickTwist™, deje correr el agua durante aproximadamente 10 minutos.
- 3 Verifique que no haya pérdidas entre el conjunto del cabezal del sistema y el filtro, alrededor de todos los accesorios de conexión o en la conexión del adaptador del grifo de cocina **E**, así como en la conexión entre el grifo y la tubería.

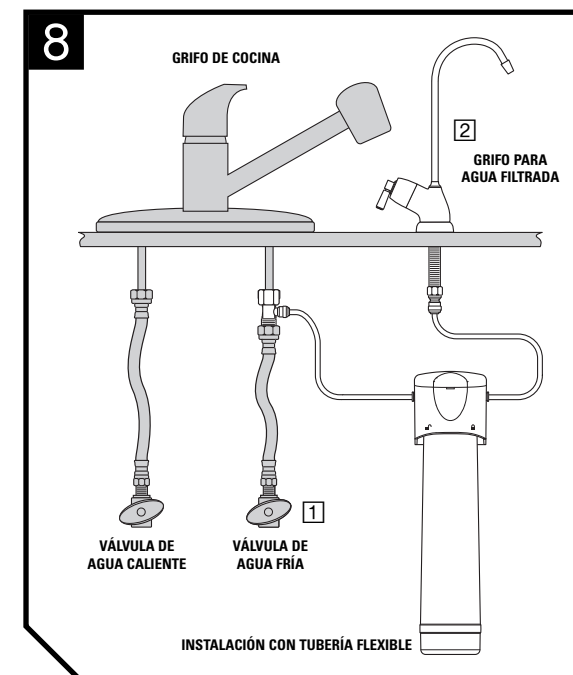
#### **Si hay pérdidas entre el cabezal del sistema y el filtro QuickTwist™:**

- Cierre la válvula de paso del agua fría al sistema de filtrado y abra el grifo de agua filtrada para desagotar el agua y descargar la presión.
- Retire el filtro QuickTwist™ e inspeccione los retenes anulares de alrededor de las boquillas de la parte superior del mismo. Asegúrese de que estén en su sitio y libres de suciedad y partículas.
- Cierre el grifo para agua filtrada.
- Reemplace el filtro QuickTwist™ levantándolo en forma recta para colocarlo en el cabezal del sistema hasta que las dos boquillas asienten en los orificios y las dos bridas extendidas de la parte superior del filtro se acoplen totalmente al cabezal. Gire el filtro QuickTwist™ en sentido antihorario hasta que haga tope.
- Abra nuevamente la válvula de paso del suministro de agua fría y el grifo de agua filtrada.

#### **Si hay pérdidas alrededor de los accesorios de conexión:**

- Cierre la válvula de paso del agua fría al sistema de filtrado para descargar la presión del sistema.
- Mientras tira de la tubería plástica de 1/4" **L** con una mano, presione el collar gris alrededor del accesorio de conexión de entrada y/o salida. Asegúrese de que la tubería plástica esté cortada a escuadra y no esté rayada. Si está cortada en forma despareja o rayada, corte de 13 a 16 mm (1/2" a 5/8") y vuelva a instalarla (vea el Paso 5 de las Instrucciones de instalación).
- Abra nuevamente la válvula de paso del agua fría y el grifo de agua filtrada.

continúa en la página siguiente





## PASO 8

### Prueba del funcionamiento correcto del sistema de filtrado (continuación)

#### **Si hay pérdidas en la conexión del adaptador del grifo de cocina:**

- Cierre la válvula de paso del agua fría al sistema de filtrado para descargar la presión del sistema.
- Localice el adaptador del grifo de cocina.
  - Si la tubería plástica pierde, siga los pasos anteriores (“Si hay pérdidas alrededor de los accesorios de conexión”).
  - Si la rosca entre el adaptador del grifo de cocina y el vástago de dicho grifo pierde, apriétela más firmemente. Si la pérdida persiste, desconecte la tubería plástica de 1/4" y retire el adaptador. Envuelva el adaptador del filtro de cocina y el vástago roscado del grifo con cinta para cañerías y vuelva a instalarlo (vea el paso 2 de las Instrucciones de instalación).
  - Si la rosca entre el adaptador del grifo de cocina y la tubería de suministro de agua fría pierde, apriétela más firmemente. Si la pérdida persiste, desconecte la tubería plástica de 1/4" y retire el adaptador. Envuelva el adaptador del grifo de cocina y la tubería de suministro de agua fría con cinta para cañerías y vuelva a instalarlo (vea el paso 2 de las Instrucciones de instalación).
- Abra nuevamente la válvula de paso del agua fría y el grifo de agua filtrada.

#### **Si hay pérdidas en la conexión entre el grifo para agua filtrada y la tubería plástica de 1/4":**

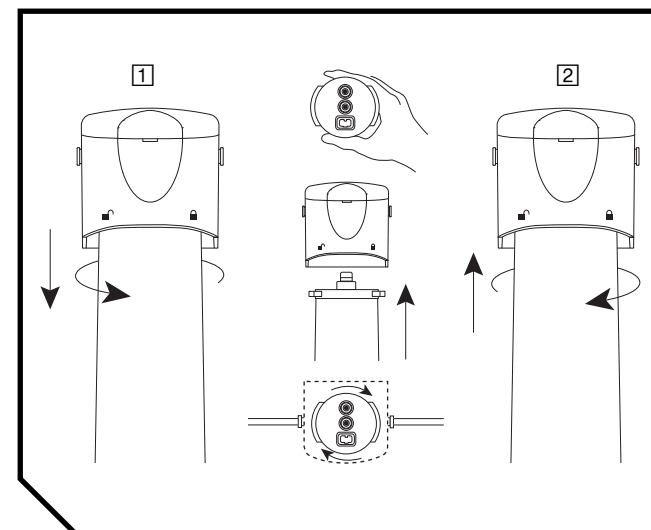
- Cierre la válvula de paso del agua fría al sistema de filtrado para descargar la presión del sistema.
- Afloje y retire la tuerca de compresión **K** del vástago del grifo para agua filtrada. Revise la tubería plástica de 1/4" para ver si está cortada a escuadra. Asegúrese de que la tubería plástica esté colocada firmemente en el extremo del vástago del grifo. Vuelva a apretar la tuerca de compresión firmemente con la mano y luego 1/2 vuelta con una llave ajustable. Si la pérdida persiste, retire la tuerca de compresión, aplique cinta para cañerías al vástago del grifo para agua filtrada y reinstale la tuerca de compresión.
- Abra nuevamente la válvula de paso del agua fría y el grifo de agua filtrada.

- Si las pérdidas persisten, corte el suministro de agua y llame al Servicio al Cliente o consulte a su fontanero local.
- Para las instrucciones de reemplazo del filtro, vea a continuación.

### Reemplazo del filtro QuickTwist™

- 1 Cierre la válvula de paso del agua fría al sistema de filtrado **A**.
- 2 Gire cada filtro QuickTwist™ **B** en sentido antihorario hasta que se suelte. Tire suavemente hacia abajo de los filtros QuickTwist™ usados para retirarlos del cabezal del sistema. Deseche los filtros QuickTwist™ usados.
 

**NOTA: Coloque una bandeja o un cubo debajo del sistema de filtrado para recoger el agua que caiga.**
- 3 Sostenga el nuevo filtro QuickTwist™ con la etiqueta mirando ligeramente a la izquierda. Las dos boquillas de la parte superior del filtro QuickTwist™ deben estar hacia la parte trasera de dicho filtro. Si lo sostiene correctamente, las dos bridas didas de la parte superior del filtro QuickTwist™ deben estar hacia afuera a cada lado.
- 4 Levante el filtro QuickTwist™ en forma recta para colocarlo en el cabezal del sistema hasta que las dos boquillas asienten en orificios y las dos bridas extendidas de la parte superior del filtro se acoplen totalmente al cabezal.
- 5 Gire cada filtro QuickTwist™ en sentido horario hasta que haga tope.
- 6 Abra la válvula de paso del agua fría y el grifo para agua filtrada **D** y verifique que no haya pérdidas. Si las hay, consulte la información de solución de problemas del Paso 7 de las Instrucciones de instalación.
- 7 Haga correr agua a través del grifo para agua filtrada durante aproximadamente 10 minutos a fin de lavar todo el aire y los residuos de carbón (polvo fino negro) del filtro QuickTwist™. Verifique una vez más que no haya pérdidas antes de terminar el trabajo.



## Filtros de repuesto

### Sistema de filtrado de agua potable de 1 etapa QuickTwist™ DuPont™ Serie WFQT13000

El consumo y la calidad del agua de su línea de suministro entrante afectan a la vida útil de los cartuchos de filtro y determinan cuándo deben reemplazarse. Los cartuchos deben reemplazarse anticipadamente si la presión de agua en el grifo comienza a decaer perceptiblemente o si el filtro no funciona satisfactoriamente.

La reducción de capacidad indicada para el cartucho de filtro está ligada al funcionamiento del cartucho dentro de un sistema de filtrado específico para el que ha sido probado y certificado. Consulte en la Hoja de datos de funcionamiento los datos certificados de los sistemas específicos con los cartuchos indicados.

Certificación del sistema	Número de modelo del filtro
Sistema de filtrado de agua potable de 1 etapa QuickTwist™ Serie WFQT13000	WFQTC30001

## ⚠ PRECAUCIÓN

- Estos filtros no son purificadores de agua. No los use con agua microbiológica mente insegura o de calidad desconocida sin una desinfección adecuada antes o después del sistema. Pueden usarse sistemas certificados para reducción de cistes para aguas desinfectadas que puedan contener cistes filtrables.
- Esta unidad no está diseñada para filtrar azufre (olor a huevos podridos). El uso de filtros de carbón para tratar el azufre puede intensificar los problemas de sabor y olor.
- Cumpla todas las regulaciones estatales y locales relativas a la instalación de dispositivos de tratamiento de agua.
- Los contaminantes u otras sustancias reducidas por este filtro no están necesariamente presentes en el agua que usted usa.

## Datos de operación y mantenimiento

Estas unidades están diseñadas para uso no comercial. Deben usarse únicamente con temperaturas de aire ambiental entre 35 grados F (2 grados C) y 100 grados F (38 grados C). Debe evitarse colocar estas unidades bajo la luz solar directa o usar equipos calefactores eléctricos en las mismas. Reemplace el cartucho del filtro cuando y como se explica en las instrucciones de instalación y operación incluidas con el cartucho. Los cartuchos de filtro de repuesto están disponibles en las tiendas minoristas.

## Piezas de repuesto

### Sistema de filtrado de agua potable de 1 etapa QuickTwist™ DuPont™ Serie WFQT13000

Número de pieza	Descripción
WFAS300	Tornillos de montaje (paquete de 2)
WFAF400	Adaptador para grifo de cocina
WFAF300	Tubería plástica de 1/4" (1.80 m)
WFAH100	Conjunto de cabezal de 1 etapa QuickTwist™

Información para pedidos:



[www.waterfiltration.DuPont.com](http://www.waterfiltration.DuPont.com)

Protect Plus, LLC ■ Hickory, NC 28601 USA



866-709-2086 Gratis

Para solicitudes de servicio e información de productos  
Horarios de atención: Las 24 horas, los 7 días de la semana



## Método de instalación opcional: Directo para conectar al grifo de la cocina:

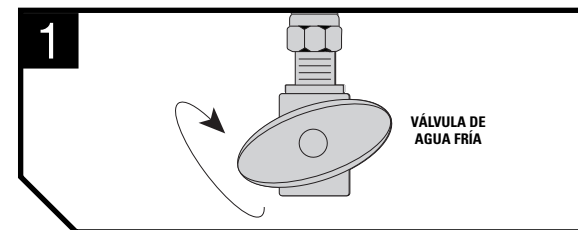
**NOTA:** Los filtros bajo el fregadero disminuyen el flujo de agua. Si desea mantener el flujo de agua sin filtrar para lavar los platos, etc., recomendamos que instale un grifo separado para el agua filtrada (Serie DuPont WFFT100).

### PASO 1 -Método opcional de instalación directamente a la conexión. Corte del suministro de agua

- 1 Localice la válvula de paso del agua fría ubicada debajo del fregadero. Corte el suministro de agua fría al fregadero existente en la cocina.

**NOTA:** Si no está seguro de cuál tubería suministra el agua fría, abra el agua caliente del grifo. Deje que se caliente el agua y toque cuidadosamente los caños debajo del fregadero. El caño que sigue estando frío al tacto es el suministro de agua fría.

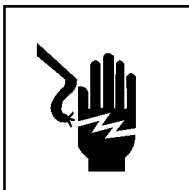
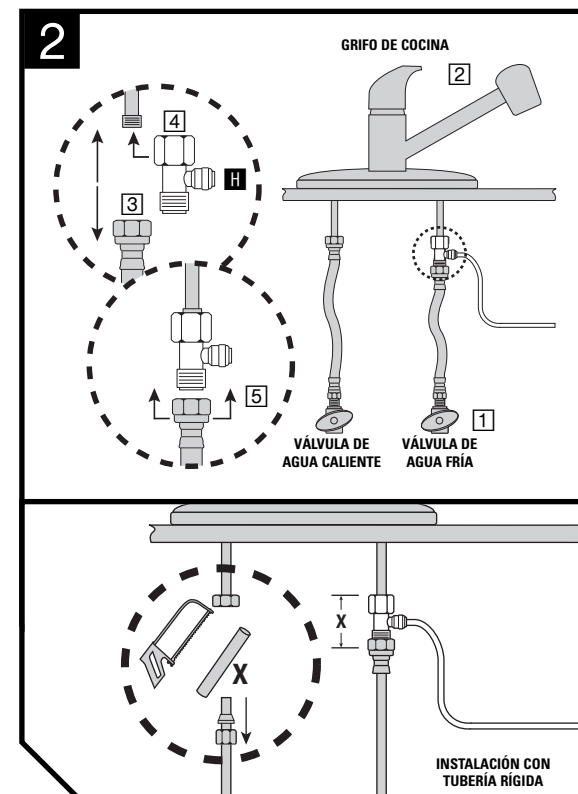
- 2 Abra el grifo de agua fría del fregadero de la cocina para descargar la presión y permita que se desagote completamente el agua de la cañería.



### PASO 2 -Método opcional de instalación directamente a la conexión. Instalación del adaptador del grifo de cocina

**NOTA:** El adaptador del grifo de cocina está diseñado para instalarlo en roscas de suministro NPTF de 1/2".

- 1 Localice la válvula de paso del agua fría debajo del fregadero. Corte el suministro de agua fría al fregadero.  
**NOTA:** Si no está seguro de cuál tubería suministra el agua fría, abra el agua caliente del grifo. Deje que se caliente el agua y toque cuidadosamente los caños debajo del fregadero. El caño que sigue estando frío al tacto es el suministro de agua fría.
- 2 Abra el grifo de cocina para descargar la presión y permita que se desagote completamente el agua de la cañería.
- 3 Desconecte la tubería de agua fría del vástago roscado de 1/2" de la parte inferior del grifo de cocina.  
**NOTA:** Si se usan cañerías de suministro rígidas (metálicas y plásticas), es posible que tenga que acortar la cañería con una sierra cortametales para instalar el adaptador para el grifo de cocina.
- 4 Sosteniendo el adaptador para grifo de cocina **H** en posición vertical (vea el diagrama), enrósquelo en el vástago roscado del grifo.
- 5 Enrosque la tubería de suministro de agua fría a las roscas macho del adaptador para grifo de cocina usando la tuerca que conectaba anteriormente dicha tubería al grifo de cocina. Para que quede firme, apriete la tuerca con una llave ajustable.
- 6 Si ha reemplazado el rociador por el grifo para agua filtrada, cerciórese de haber tapado la salida del rociador del grifo de cocina. La mayoría de los grifos necesitarán una tapa de compresión para sellar y evitar fugas.



#### ⚠ ADVERTENCIA

Antes de trabajar en el área del armario, asegúrese de que todos los electrodomésticos y tomacorrientes estén desconectados en el disyuntor.

#### ⚠ PRECAUCIÓN

Use gafas de seguridad para protegerse los ojos mientras perfora.





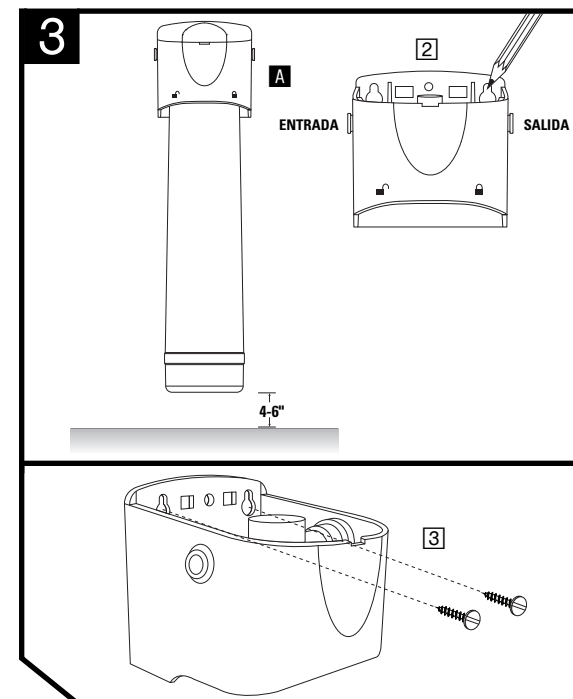
## PASO 3 -Método opcional de instalación directamente a la conexión. Montaje del cabezal del sistema

- 1 Elija un área de fácil acceso debajo del fregadero para montar el sistema de filtrado.

**NOTA:** Para permitir un espacio apropiado para los cambios de filtro, deje una holgura mínima de 10 a 15 cm (4 a 6 pulg.) debajo del filtro QuickTwist™. El sistema de filtrado se debe montar en posición vertical.

**NOTA:** Monte el sistema de filtrado en una pared o armario macizos. Si no dispone de una superficie maciza, use pernos de anclaje o pernos de mariposa para paredes huecas (no incluidos) para fijar el cabezal a la pared.

- 2 Retire la tapa de la parte superior del cabezal del sistema **A**. Use el soporte integrado de la parte trasera del cabezal o la plantilla provista en la contratapa de este folleto para marcar los orificios de los tornillos de montaje **C** en la superficie de la pared.
- 3 Con una broca de 1/8", perforo dos orificios guía para los tornillos de montaje. Inserte los tornillos de montaje en la pared con un destornillador Phillips, dejando expuestos aproximadamente 9 mm (3/8") de cada tornillo de montaje.
- 4 Cuelgue el cabezal del sistema en los ojales del soporte y vuelva a colocar la tapa del cabezal.



## PASO 4 -Método opcional de instalación directamente a la conexión. Instale de la tubería plástica de 1/4" como tubería de suministro de agua desde la salida del adaptador del grifo de cocina hasta la entrada del cabezal del sistema

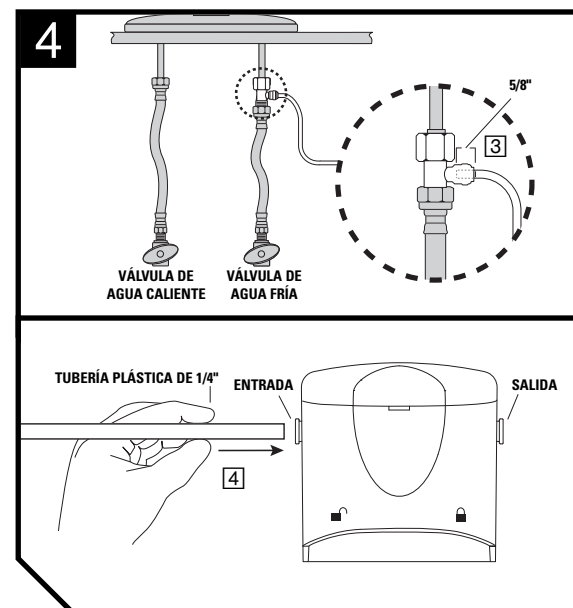
- 1 Determine la longitud de la tubería plástica de 1/4" **B** que será necesaria para conectar la entrada del cabezal del sistema al adaptador del grifo de cocina **H**. Asegúrese de dejar suficiente longitud de tubería plástica para evitar retorcimientos de la misma.
- 2 Corte la tubería plástica de 1/4" a escuadra en ambos extremos.

- 3 Moje con agua un extremo de la tubería plástica e introdúzcalo en el adaptador del grifo de cocina aproximadamente 16 mm (5/8") hasta que haga tope.

**NOTA:** No doble ni engarce la tubería plástica de 1/4" cuando la introduce.

- 4 Moje con agua el otro extremo de la tubería plástica e introdúzcalo en la entrada del cabezal del sistema aproximadamente 16 mm (5/8") hasta que haga tope.

**NOTA:** No es necesario desconectar la tubería plástica para el mantenimiento general de rutina y el reemplazo del filtro. No obstante, puede desconectarse fácilmente si fuera necesario. Corte simplemente el suministro de agua al sistema de filtrado y presione el collar gris de alrededor del accesorio de conexión mientras tira de la tubería con la otra mano para sacarla..

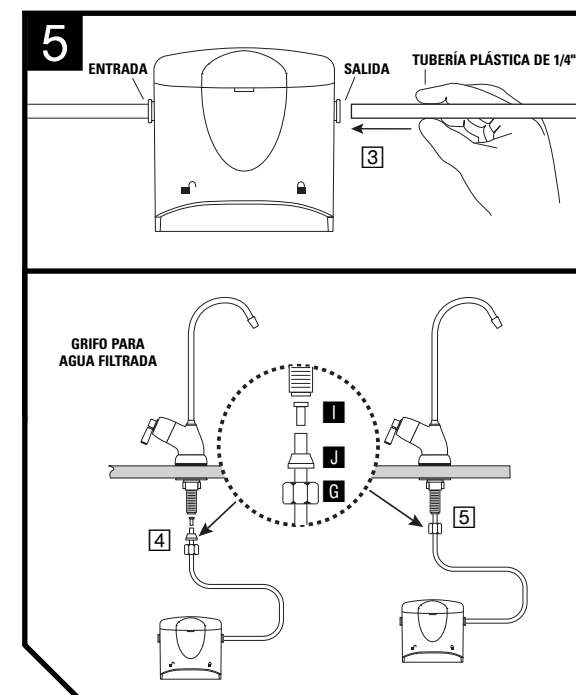




## PASO 5 -Método opcional de instalación directamente a la conexión. Instalación de la tubería plástica de 1/4" como tubería de suministro de agua desde la salida del cabezal del sistema hasta el grifo

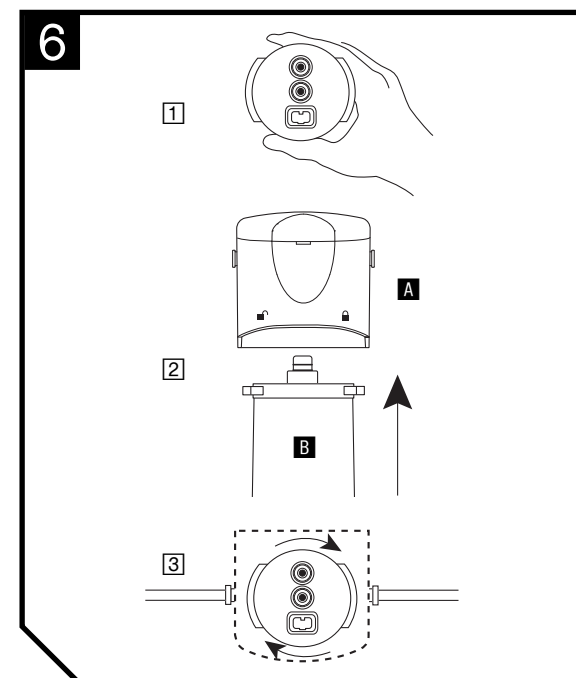
- 1 Determine la longitud de la tubería plástica de 1/4" **1** que será necesaria para conectar la salida del cabezal del sistema al vástago roscado del grifo. Asegúrese de dejar suficiente tubería plástica para evitar retorcimientos en la misma.
- 2 Corte la tubería plástica de 1/4" a escuadra en ambos extremos.
- 3 Moje con agua un extremo de la tubería plástica de 1/4" e introdúzcalo en la salida del cabezal del sistema hasta que haga tope.
- 4 Deslice suavemente la tuerca plástica de compresión **G** (lado roscado arriba) sobre la tubería. Continúe con el casquillo plástico **J**, asegurándose de que quede en la posición correcta con la abertura más grande en la parte inferior (la que va dentro de la tuerca). Coloque el inserto plástico **I** en el extremo de la tubería plástica de 1/4".
- 5 Coloque la tubería plástica de 1/4" firmemente a presión en el extremo del vástago roscado del grifo. Apriete con la mano la tuerca plástica de compresión en la rosca. Apriete con una llave ajustable aproximadamente 1/2 vuelta.

**NOTA: No doble ni engarce la tubería plástica de 1/4" cuando la introduce. No sobreapriete la tuerca de compresión.**



## PASO 6 -Método opcional de instalación directamente a la conexión. Instalación del filtro QuickTwist™

- 1 Sostenga el filtro QuickTwist™ **B** con la etiqueta mirando ligeramente a la izquierda. Las dos boquillas de la parte superior del filtro QuickTwist™ deben estar hacia la parte trasera de dicho filtro. Si lo sostiene correctamente, las dos bridas extendidas de la parte superior del filtro QuickTwist™ deben estar hacia afuera a cada lado. Vea la Figura 6 **1** de la derecha.
- 2 Levante el filtro QuickTwist™ en forma recta para colocarlo en el cabezal del sistema **A** hasta que las dos boquillas asienten en los orificios y las dos bridas extendidas de la parte superior del filtro se acoplen totalmente al cabezal.
- 3 Gire cada filtro QuickTwist™ en sentido horario hasta que haga tope.







## PASO 7 -Método opcional de instalación directamente a la conexión. Prueba del funcionamiento correcto del sistema de filtrado

- 1 Abra la válvula de paso del agua fría ubicada debajo del fregadero.
- 2 Abra el nuevo grifo de agua filtrada **D**. A fin de que el sistema de filtrado lave todo el aire y los residuos de carbón (polvo fino negro) del filtro QuickTwist™, deje correr el agua durante aproximadamente 10 minutos.
- 3 Verifique que no haya pérdidas entre el conjunto del cabezal del sistema y el filtro, alrededor de todos los accesorios de conexión o en la conexión del adaptador del grifo de cocina **I**, así como en la conexión entre el grifo y la tubería.

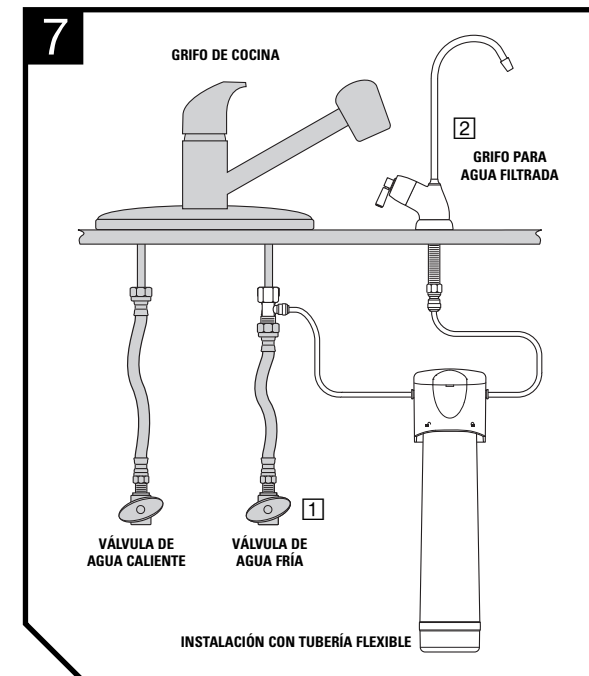
### Si hay pérdidas entre el cabezal del sistema y el filtro QuickTwist™:

- Cierre la válvula de paso del agua fría al sistema de filtrado y abra el grifo de agua filtrada para desagotar el agua y descargar la presión.
- Retire el filtro QuickTwist™ e inspeccione los retenes anulares de alrededor de las boquillas de la parte superior del mismo. Asegúrese de que estén en su sitio y libres de suciedad y partículas.
- Cierre el grifo para agua filtrada.
- Reemplace el filtro QuickTwist™ levantándolo en forma recta para colocarlo en el cabezal del sistema hasta que las dos boquillas asienten en los orificios y las dos bridas extendidas de la parte superior del filtro se acoplen totalmente al cabezal. Gire el filtro QuickTwist™ en sentido antihorario hasta que haga tope.
- Abra nuevamente la válvula de paso del suministro de agua fría y el grifo de agua filtrada.

### Si hay pérdidas alrededor de los accesorios de conexión:

- Cierre la válvula de paso del agua fría al sistema de filtrado para descargar la presión del sistema.
- Mientras tira de la tubería plástica de 1/4" **L** con una mano, presione el collar gris alrededor del accesorio de conexión de entrada y/o salida. Asegúrese de que la tubería plástica esté cortada a escuadra y no esté rayada. Si está cortada en forma despareja o rayada, corte de 13 a 16 mm (1/2" a 5/8") y vuelva a instalarla (vea el Paso 5 de las Instrucciones de instalación).
- Abra nuevamente la válvula de paso del agua fría y el grifo de agua filtrada.

- Si las pérdidas persisten, corte el suministro de agua y llame al Servicio al Cliente o consulte a su fontanero local.
- Para las instrucciones de reemplazo del filtro, refiérase a la página 7.







## Elecciones más inteligentes para un mundo más limpio

La creación de mejores productos para usted y su familia es lo que puede esperarse de DuPont.  
El producto que contiene este paquete se creó cumpliendo exigentes normas de calidad y eficacia.



Mejora del sabor y calidad probadas y certificadas en forma independiente

©2009 Protect Plus, LLC. La marca H2O es una marca de Protect Plus. El logotipo DuPont Oval Logo®, DuPont™, The miracles of science™ son marcas de fábrica o marcas registradas de E. I. du Pont de Nemours and Company o sus afiliadas. Todos los derechos reservados.



## Smarter Choices for a Cleaner World

Creating better products for you and your family is what you can expect from DuPont.  
The product inside this package was created adhering to high standards in quality and efficacy.



Independently Tested and Certified to Improve Taste and Water Quality

© 2009 Protect Plus, LLC. H2O Trademark is a trademark of Protect Plus.  
The DuPont Oval Logo®, DuPont™, The miracles of science™ are trademarks or registered trademarks of E. I. du Pont de Nemours and Company or its affiliates. All rights reserved.